

# SONOROUS

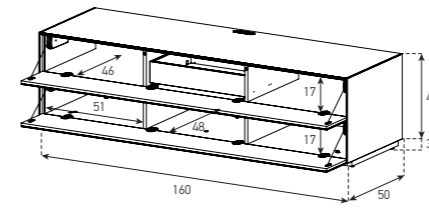
PRODUCT INFORMATION

# MULTIMEDIA CABINETS

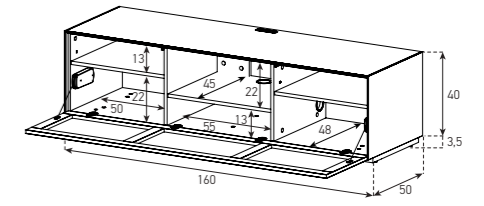
## FLOOR CABINETS

160 x 40 CM (WITH HOLE)

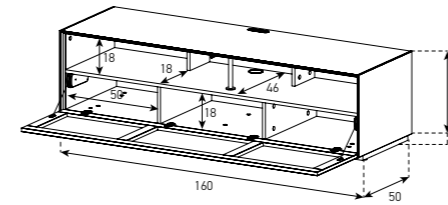
EX30FF



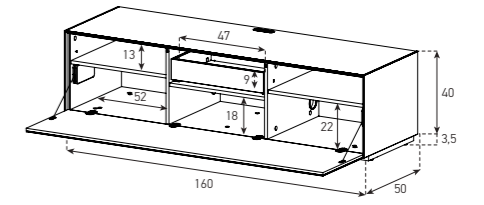
EX30TC / PC  
(Adjustable shelf + 4 cm)



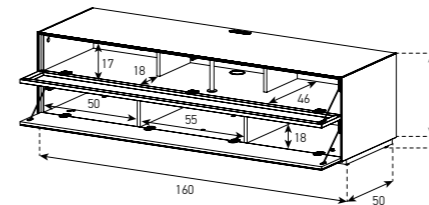
EX30TS / PS



EX30F  
(Adjustable shelf + 4 cm)

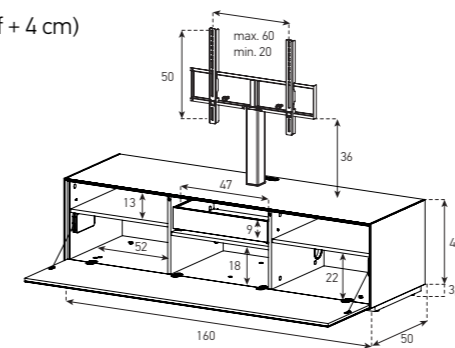


EX30-PF

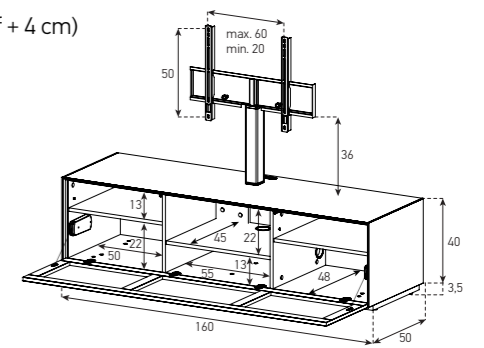


160 x 40 CM (WITH HOLE & BRACKET)

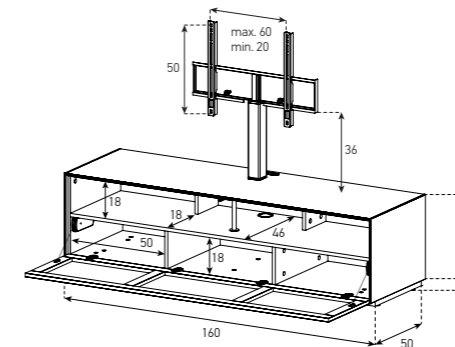
EX31F  
(Adjustable shelf + 4 cm)



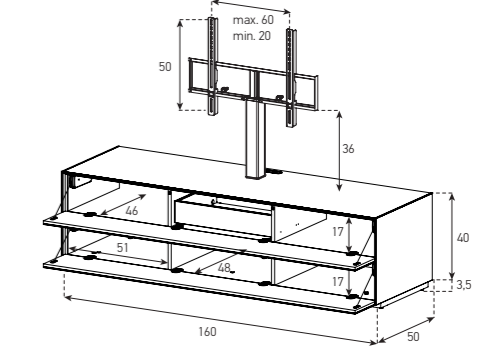
EX31TC / PC  
(Adjustable shelf + 4 cm)



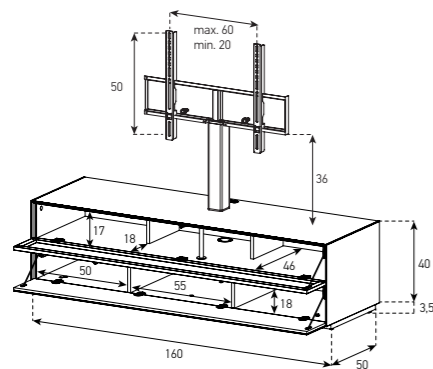
EX31TS / PS



EX31FF

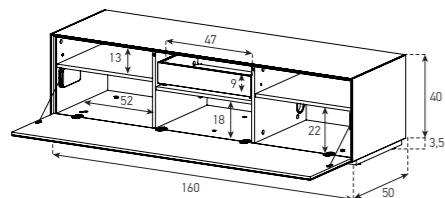


EX31PF

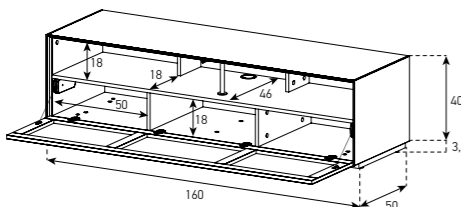


160 x 40 CM (WITHOUT HOLE)

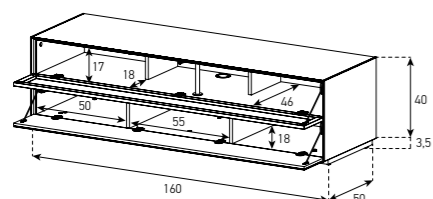
EX32F  
(Adjustable shelf + 4 cm)



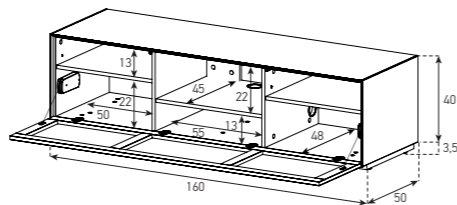
EX32TS / PS



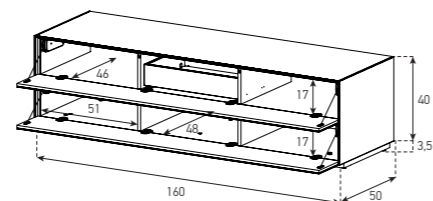
EX32PF



EX32TC / PC  
(Adjustable shelf + 4 cm)

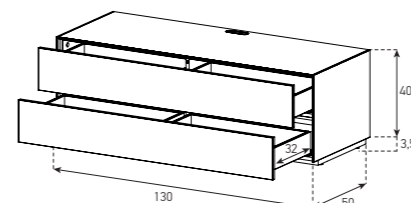


EX32FF

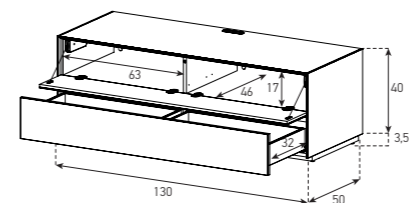


130 x 40 CM (WITH HOLE)

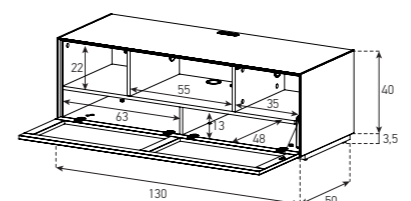
EX10DD



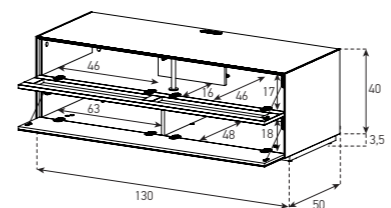
EX10FD



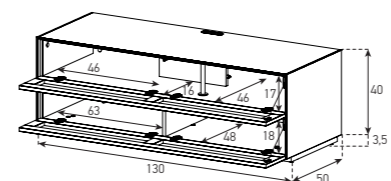
EX10TC / PC



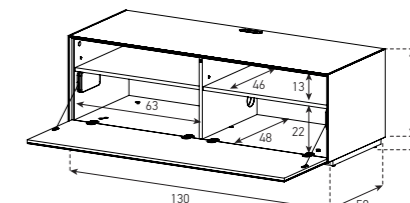
EX10TF / PF



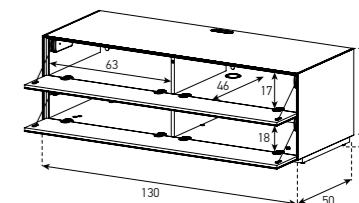
EX10TT / PP



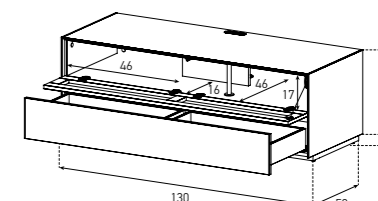
EX10F  
(Adjustable shelf + 4 cm)



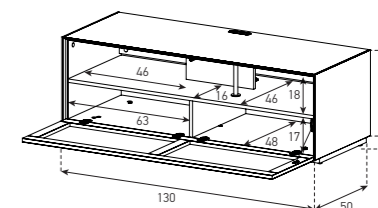
EX10FF



EX10TD / PD

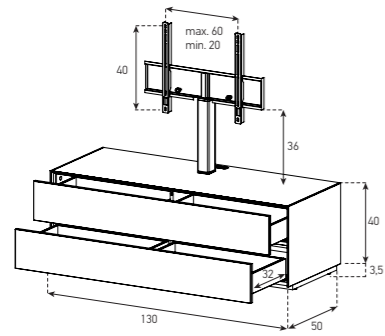


EX10TS / PS

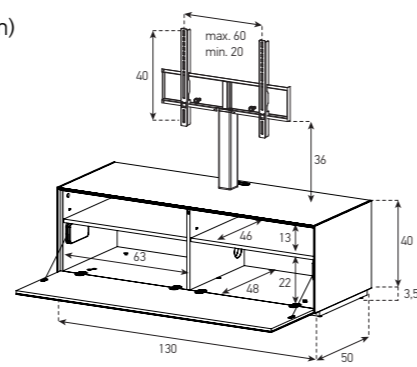


130 x 40 CM (WITH HOLE & BRACKET)

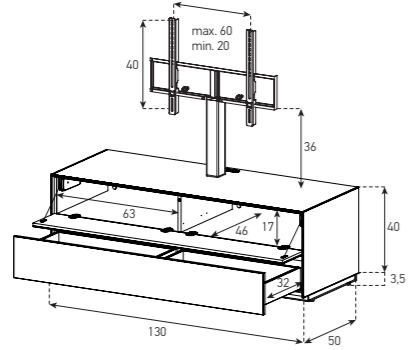
EX11DD



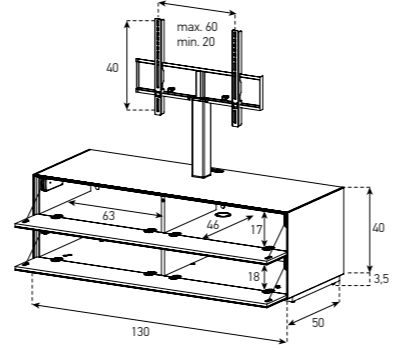
EX11F  
(Adjustable shelf + 4 cm)



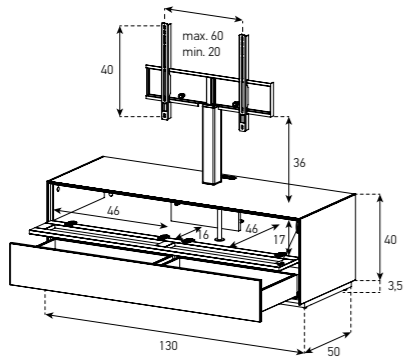
EX11FD



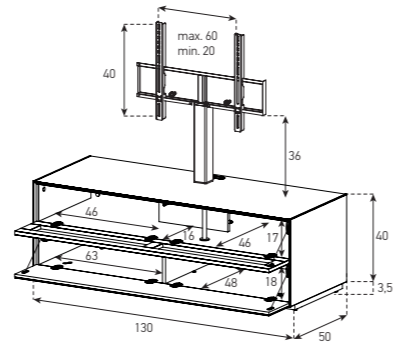
EX11FF



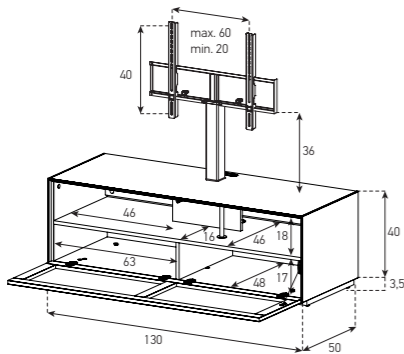
EX11TD / PD



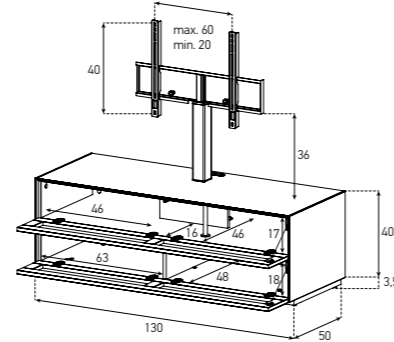
EX11TF / PF



EX11TS / PS

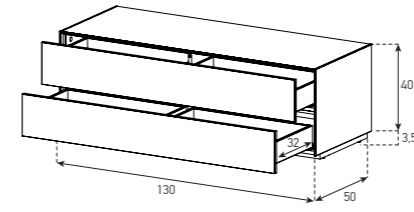


EX11TT / PP

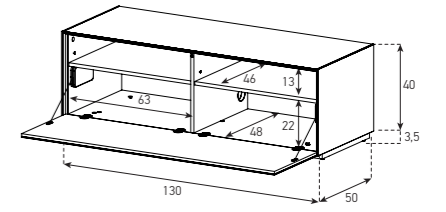


130 x 40 CM (WITHOUT HOLE)

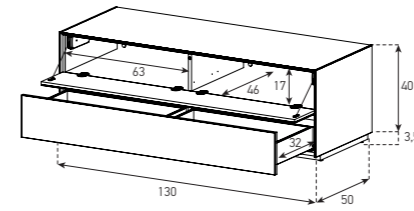
EX12DD



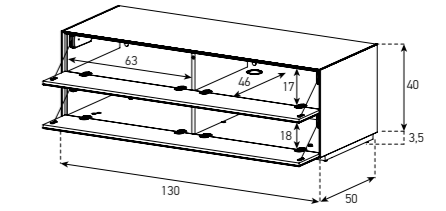
EX12F  
(Adjustable shelf + 4 cm)



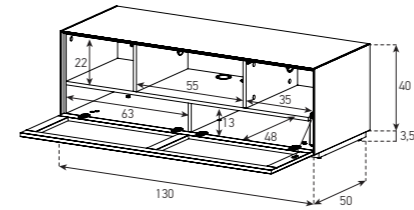
EX12FD



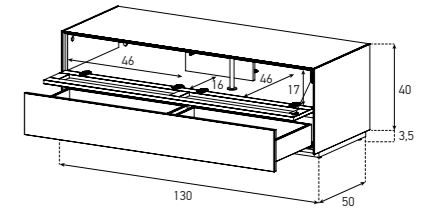
EX12FF



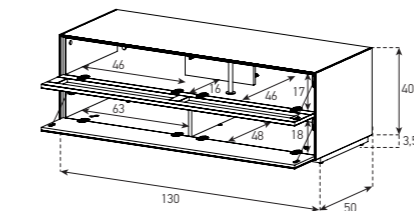
EX12TC / PC



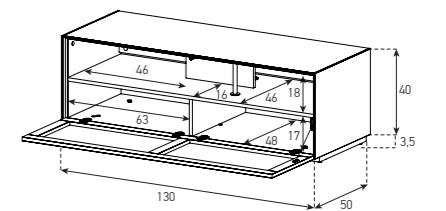
EX12TD / PD



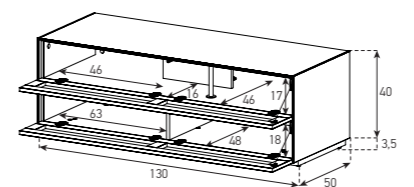
EX12TF / PF



EX12TS / PS



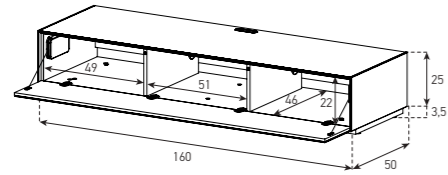
EX12TT / PP



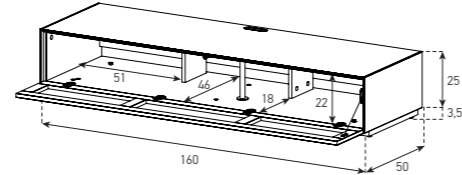


160 x 25 CM (WITH HOLE )

EX35F

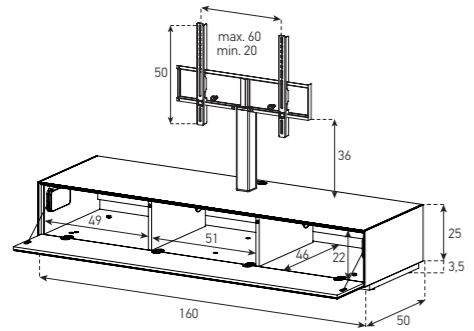


EX35TS / PS

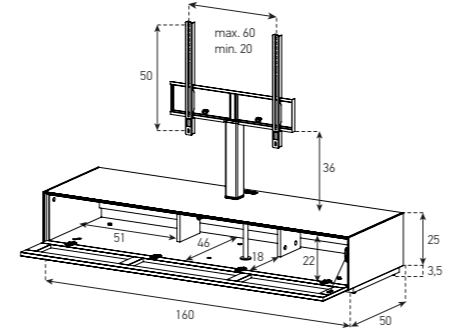


160 x 25 CM (WITH HOLE & BRACKET)

EX36F

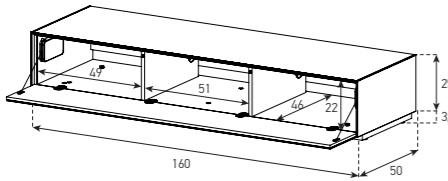


EX36TS / PS

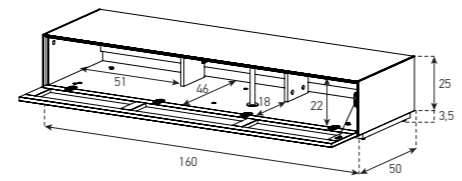


160 x 25 CM (WITHOUT HOLE )

EX37F

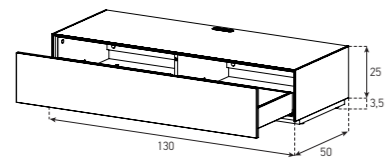


EX37TS / PS

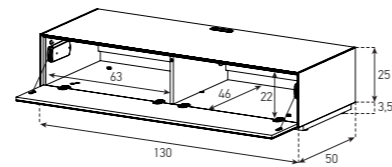


130 x 25 CM (WITH HOLE )

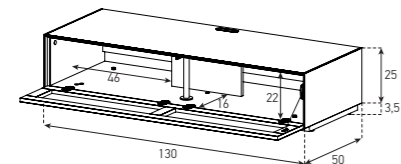
EX15D



EX15F

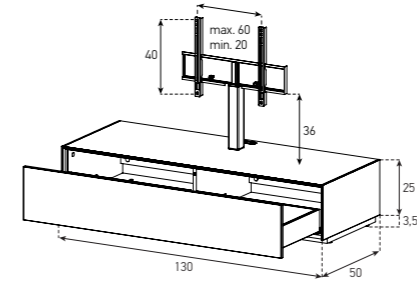


EX15TS / PS

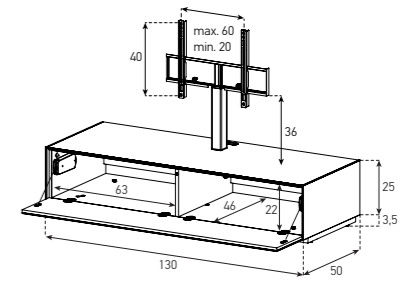


130 x 25 CM (WITH HOLE & BRACKET)

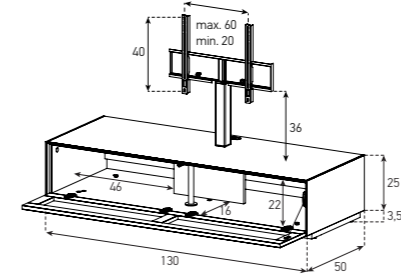
EX16D



EX16F

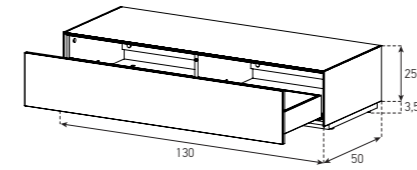


EX16TS / PS

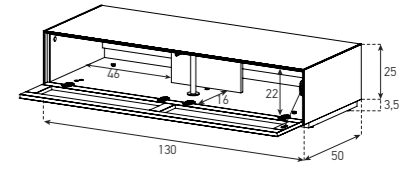


130 x 25 CM (WITHOUT HOLE )

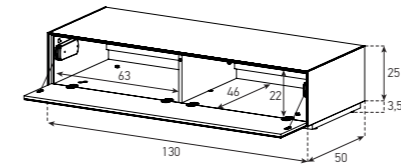
EX17D



EX17TS / PS

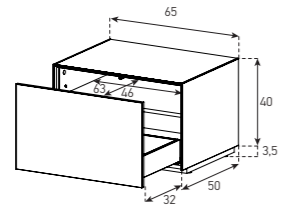


EX17F

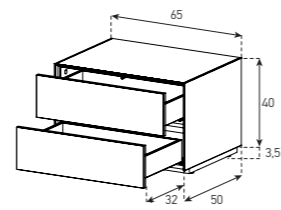


65 x 40 CM

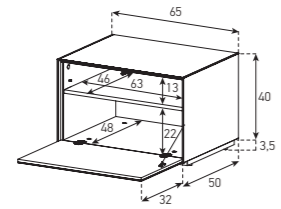
EX20D  
(Adjustable shelf + 4 cm)



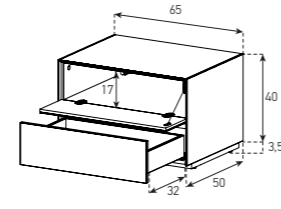
EX20DD



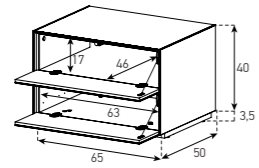
EX20F  
(Adjustable shelf + 4 cm)



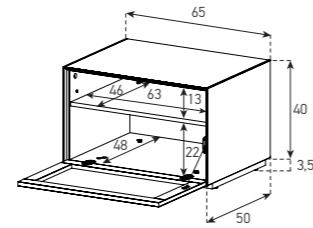
EX20FD



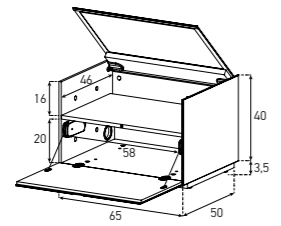
EX20FF



EX20TS / PS  
(Adjustable shelf + 4 cm)

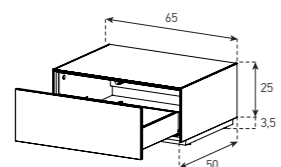


ER01F  
FOR TURN TABLE

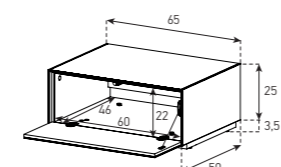


65 x 25 CM

EX25D



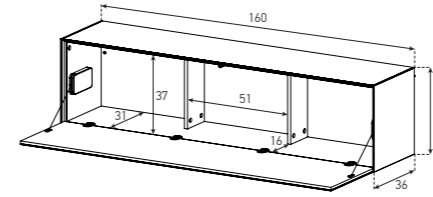
EX25F



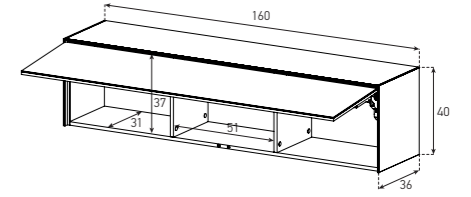
WALL UNITS

160x40 CM

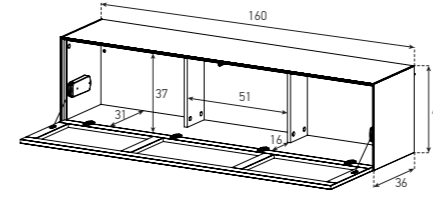
ED30F



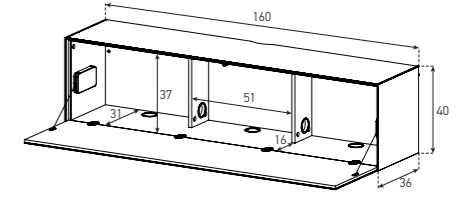
ED30U



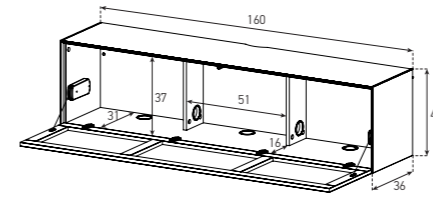
ED30TS / PS



ED31F (WITH CABLE MANAGEMENT)

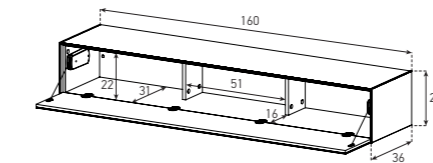


ED31TS / PS (WITH CABLE MANAGEMENT)

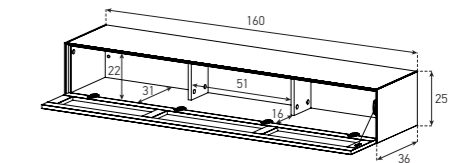


160x25 CM

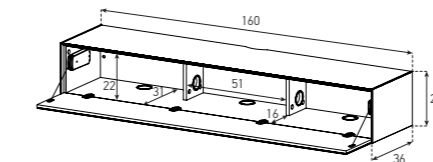
ED35F



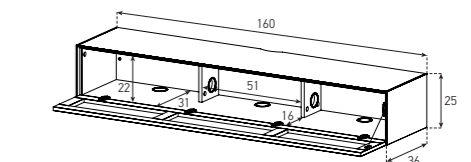
ED35TS / PS



ED36F (WITH CABLE MANAGEMENT)

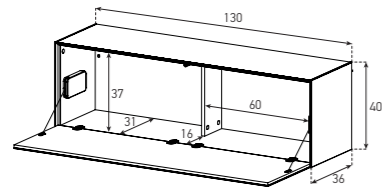


ED36TS / PS (WITH CABLE MANAGEMENT)

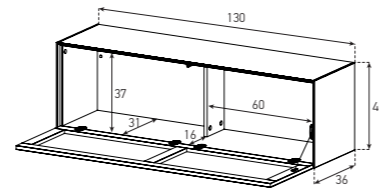


130 x 40 CM

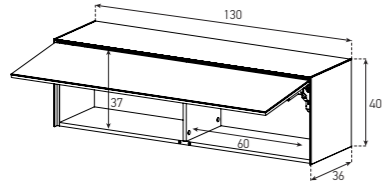
ED60F



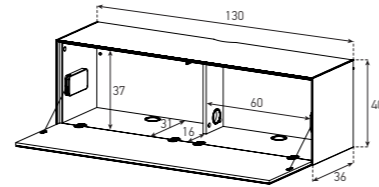
ED60TS / PS



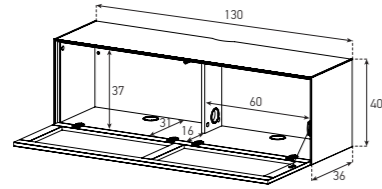
ED60U



ED61F (WITH CABLE MANAGEMENT)

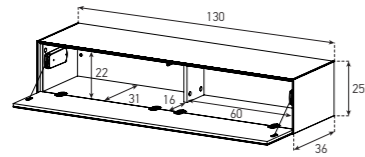


ED61TS / PS (WITH CABLE MANAGEMENT)

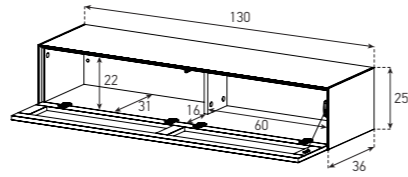


130 x 25 CM

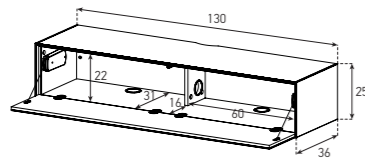
ED65F



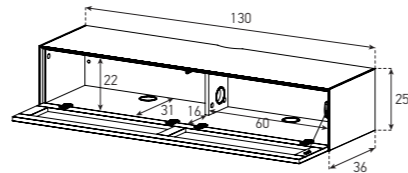
ED65TS / PS



ED66F (WITH CABLE MANAGEMENT)

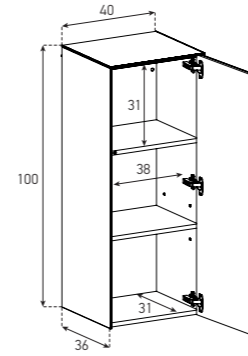


ED66TS / PS (WITH CABLE MANAGEMENT)



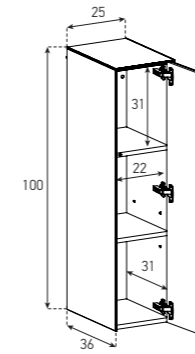
ED70DR / DL  
(Adjustable shelf +/- 6 cm)

40 x 100 CM



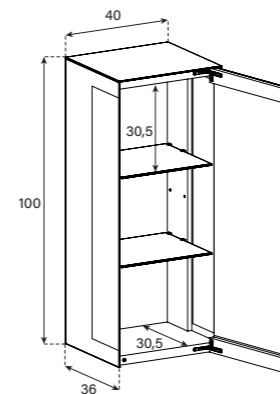
ED75DR / DL  
(Adjustable shelf +/- 6 cm)

25 x 100 CM



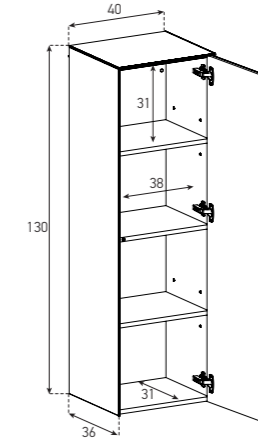
ED71DR / DL  
(Removable shelf)

40 x 100 CM



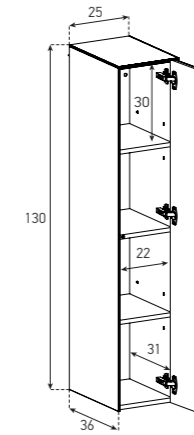
ED80DR / DL  
(Adjustable shelf +/- 6 cm)

40 x 130 CM



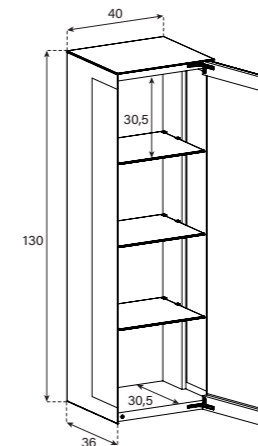
ED85DR / DL  
(Adjustable shelf +/- 6 cm)

25 x 130 CM



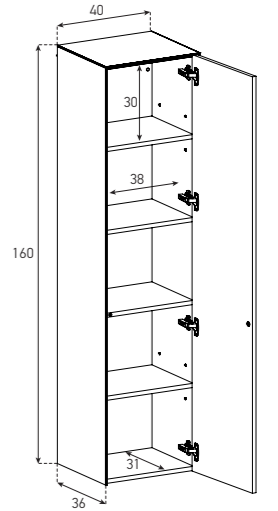
ED81DR / DL  
(Removable shelf)

40 x 130 CM



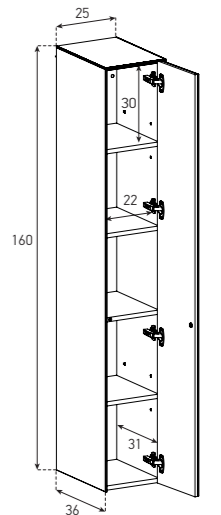
ED90DR / DL  
(Adjustable shelf +/- 6 cm)

40 x 160 CM



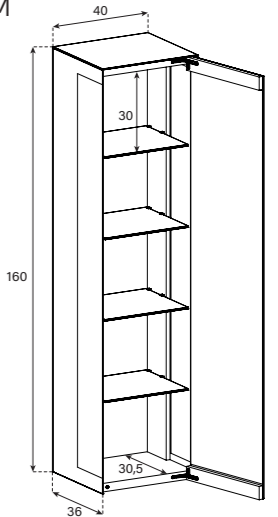
ED95DR / DL  
(Adjustable shelf +/- 6 cm)

25 x 160 CM



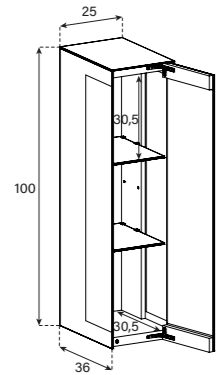
ED91DR / DL  
(Removable shelf)

40 x 160 CM



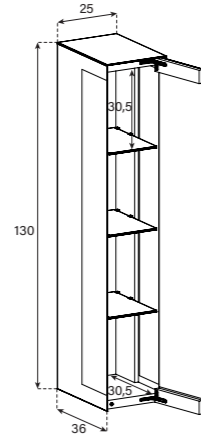
ED76DR / DL  
(Removable shelf)

25 x 100 CM



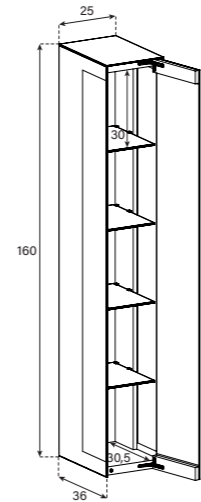
ED86DR / DL  
(Removable shelf)

25 x 130 CM



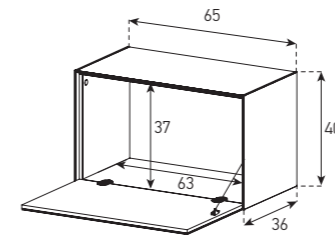
ED96DR / DL  
(Removable shelf)

25 x 160 CM



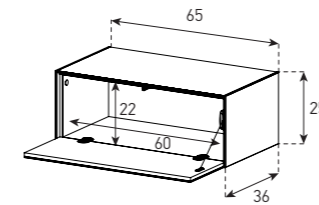
ED50F

65 x 40 CM



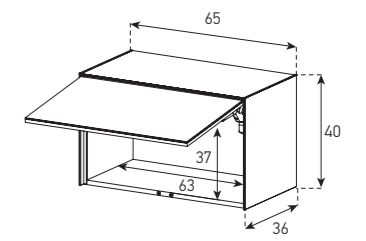
ED55-F

65 x 25 CM



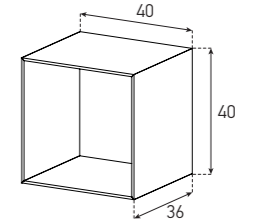
ED50U

65 x 40 CM



OP40

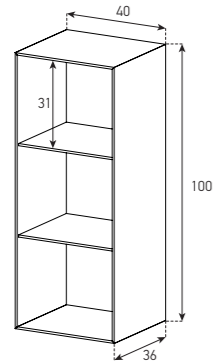
40 X 40 CM



**WALL UNITS** (Open cabinets can be hang either vertical or horizontal)

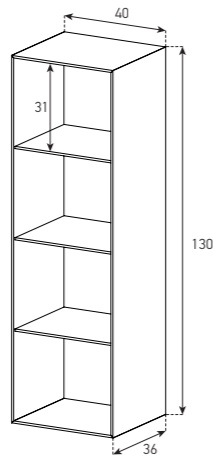
OP70V (vertical)  
OP70H (horizontal)

40 x 100 CM



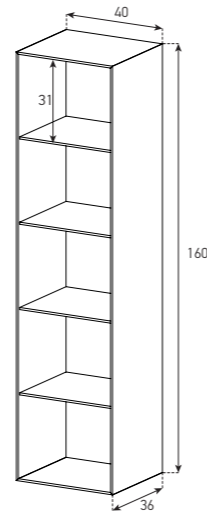
OP80V (vertical)  
OP80H (horizontal)

40 x 130 CM



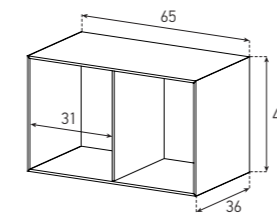
OP90V (vertical)  
OP90H (horizontal)

40 x 160 CM



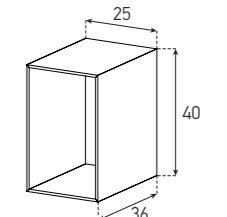
OP50V (vertical)  
OP50H (horizontal)

65 X 40 CM



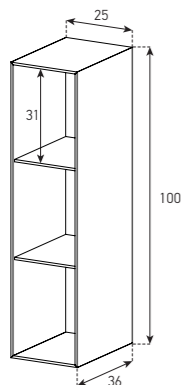
OP45V (vertical)  
OP45H (horizontal)

25 X 40 CM



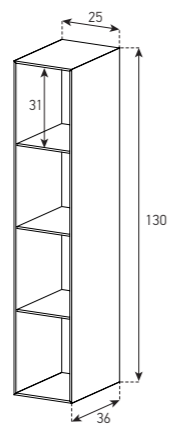
OP75V (vertical)  
OP75H (horizontal)

25 x 100 CM



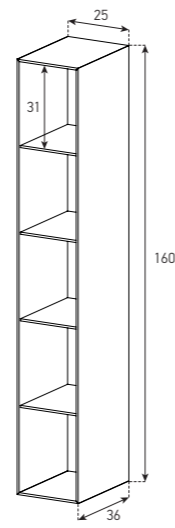
OP85V (vertical)  
OP85H (horizontal)

25 x 130 CM

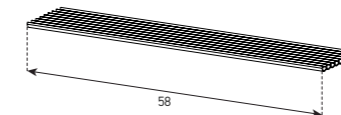


OP95V (vertical)  
OP95H (horizontal)

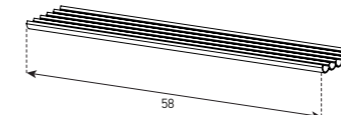
25 x 160 CM



AL-HECD  
CD Organizer

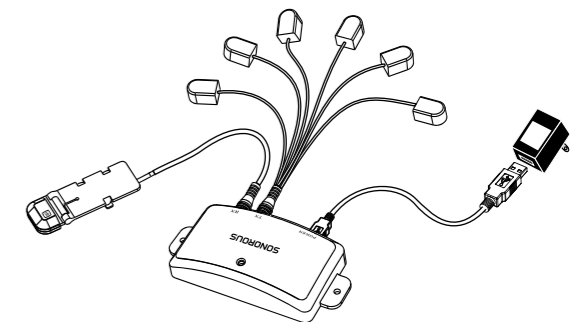


AL-HEDVD  
DVD Organizer



**ACCESSORIES**

IR 3000  
Infrared Repeater



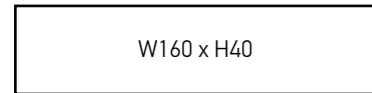
## Multimedia Cabinets (Floor) CODE SAMPLE

EX10FF-WHT-WHT-CG2BLKA

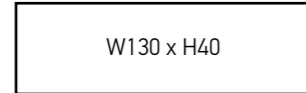
1 2 3 4 5 6 7

### 1) Cabinet Types

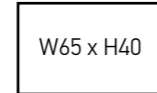
EX30 (With Hole)  
EX31 (With Hole & Bracket)  
EX32 (Without Hole)



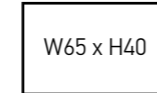
EX10 (With Hole)  
EX11 (With Hole & Bracket)  
EX12 (Without Hole)



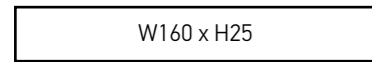
EX20



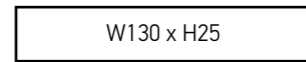
ER01  
EM01



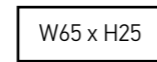
EX35 (With Hole)  
EX36 (With Hole & Bracket)  
EX37 (Without Hole)



EX15 (With Hole)  
EX16 (With Hole & Bracket)  
EX17 (Without Hole)



EX25



### 2) Cabinet Doors :

**F**  
(Flap Down)

**D**  
(Drawer)

**FF**  
(Flap Down&Flap Down)

**FD**  
(Flap Down & Drawer)

**DD**  
(Drawer & Drawer)

**TS**  
(Textile - Soundbar compatible body)

**TC**  
(Textile - Center speaker compatible body)

**TT**  
(Textile & Textile)

**TF**  
(Textile & Flap down)

**TD**  
(Textile & Drawer)

**PS**  
(Perforated - Soundbar compatible body)

**PC**  
(Perforated - Center speaker compatible body)

**PP**  
(Perforated & Perforated)

**PF**  
(Perforated & Flap down)

**PD**  
(Perforated & Drawer)

### 3) Cabinet Colors & Decors : "Category (A, C & D) " (C can produce only without hole)

### 4) Door Colors & Decors : "Category (A, B, C, D, E & F) "

### 5) Base Options :

2 (3,5cm Base)    CG2 (20cm Metal Cage)    CRB (13cm Metal Crab)    S20 (20cm Metal Spike)    S13 (13cm Metal Spike)

8 (9cm Base)    CG4 (40cm Metal Cage)    TBE (13cm Metal Tube)    PLN (13cm Metal Plain)    CLB (28cm Metal Club)

### 6) Base Colors : (Base 2 and 8 available only in silver) "Category (B) "

### 7) Structure Options :



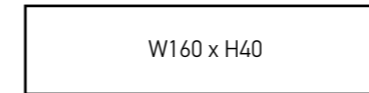
## Multimedia Cabinets (Wall) CODE SAMPLE

ED50F-WHT-WHT-A

1 2 3 4 5

### 1) Cabinet Types

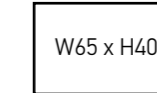
ED30  
ED31 (With Cms\*)



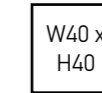
ED60  
ED61 (With Cms\*)



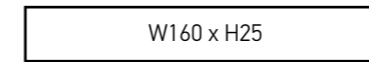
ED50  
OP50



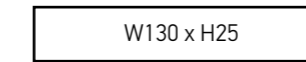
OP40



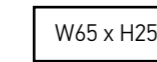
ED35  
ED36 (With Cms\*)



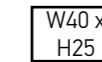
ED65  
ED66 (With Cms\*)



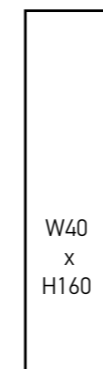
ED55  
OP55



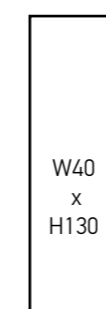
OP45



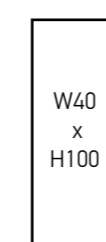
ED90  
ED91  
OP90



ED80  
ED81  
OP80



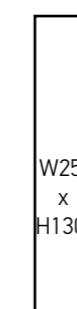
ED70  
ED71  
OP70



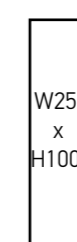
ED95  
ED96  
OP95



ED85  
ED86  
OP85



ED75  
ED76  
OP75



\*CMS : Cable Management System

### 2) Cabinet Doors :

OP Type cabinets doesn't have door.

**F**  
(Flap Down)

**U**  
(Flap Up)

**DR**  
(Door - Right Opening)

**DL**  
(Door - Left Opening)

**TS**  
(Textile - Soundbar compatible body)

**PS**  
(Perforated - Soundbar compatible body)

### 3) Cabinet Color & Decors : "Category (A, C, & D) " (C can produce only without hole)

### 4) Door Colors & Decors : "Category (A, B, C, D, E & F) "

### 5) Structure Options :

Vertical wall units & Open cabinet wall units doesn't have structure option

**Note :** Wall units closed & transparents (ED / 71-76-81-86-91-96)

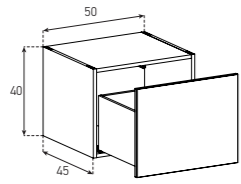
For transparent unit, first code for wood decor, second code for outer colour. (only shiny glass possible)  
Code e.g. ED71-DR-WNT-BLK-A



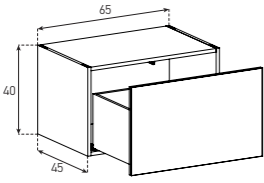
**SIDEBOARDS**

CABINET WITH DRAWER

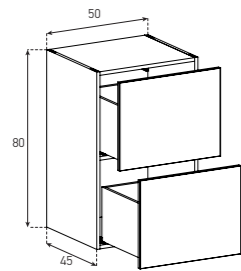
5043



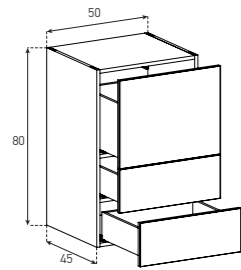
6543



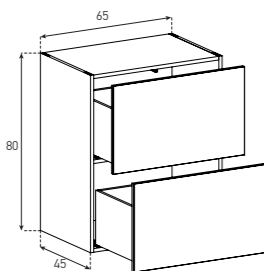
5082



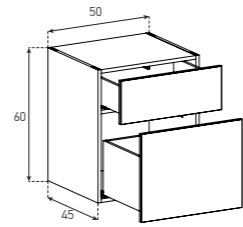
5084



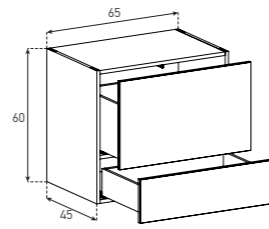
6582



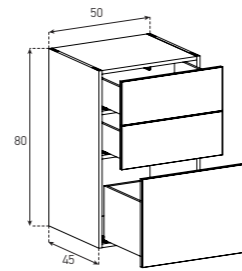
5061



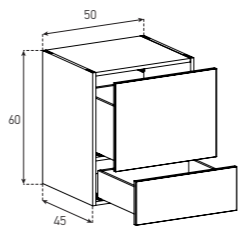
6562



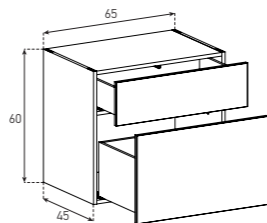
5083



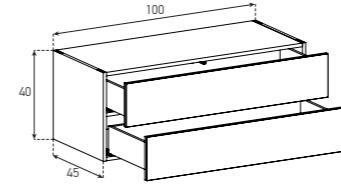
5062



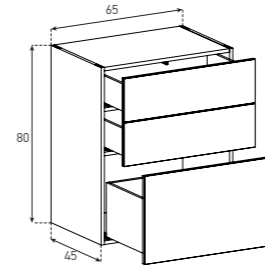
6561



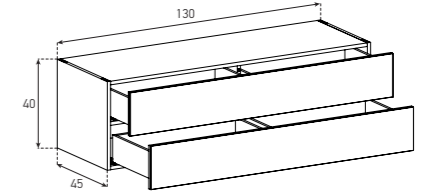
10043



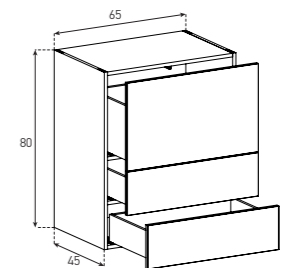
6583



13043

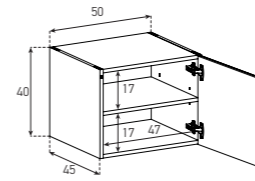


6584

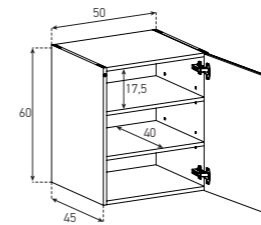


CABINET WITH DOOR

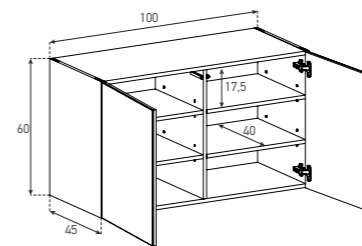
5045 R&L



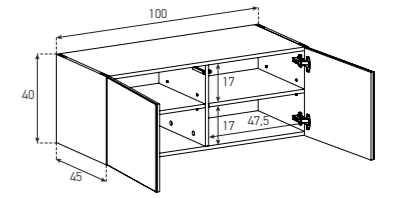
5064 R&L



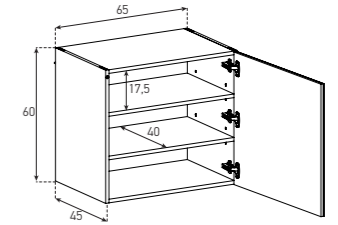
10062



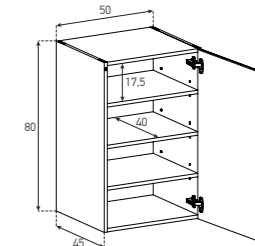
10044



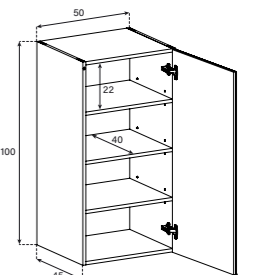
6566 R&L



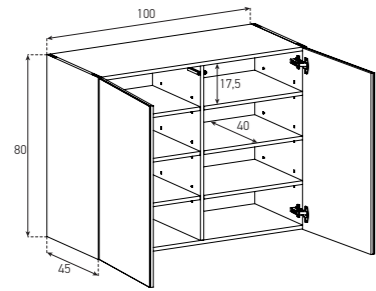
5086 R&L



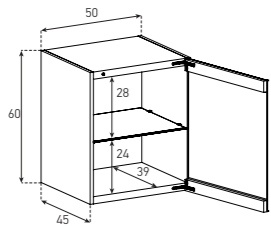
50102 R&L



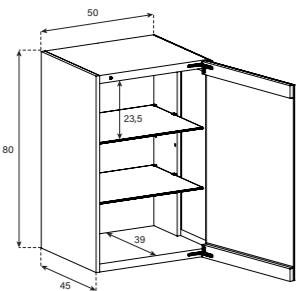
10083



5164 R&L

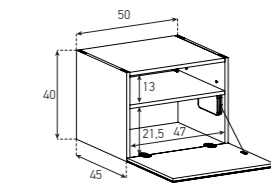


5186 R&L

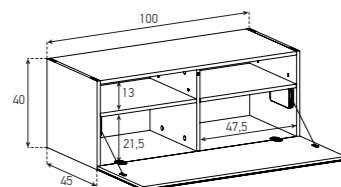


CABINET WITH FLAP DOWN

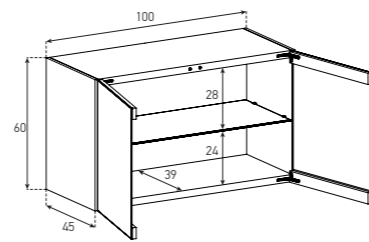
5041



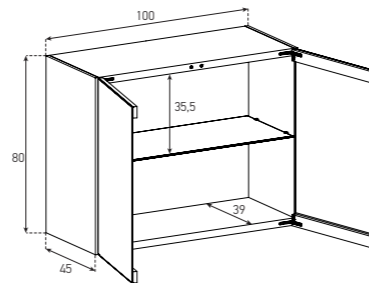
10041



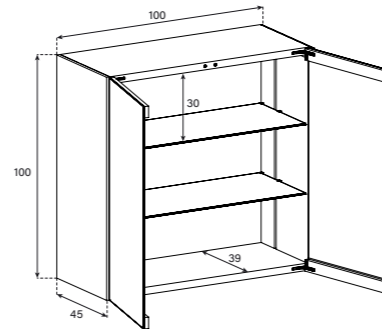
10162



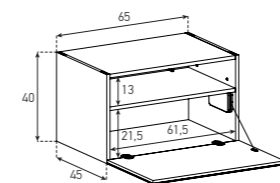
10183



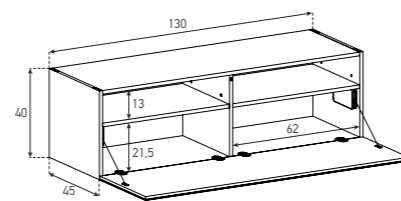
101101



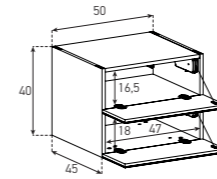
6541



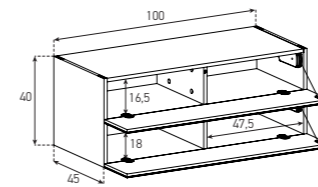
13041



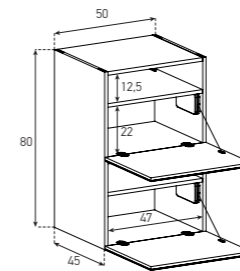
5042



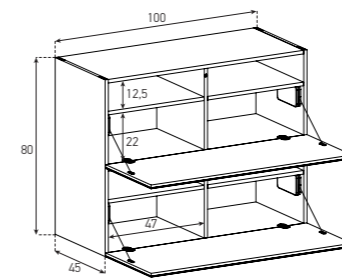
10042



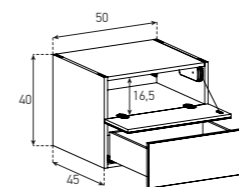
5081



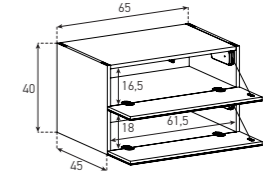
10081



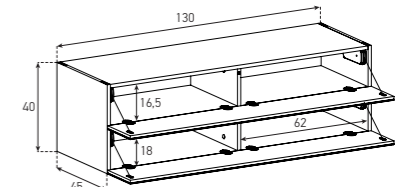
5046



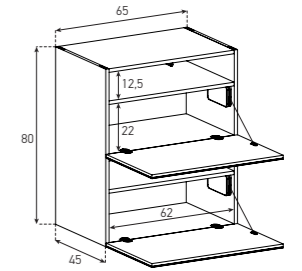
6542



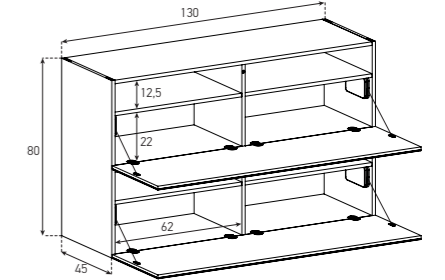
13042



6581

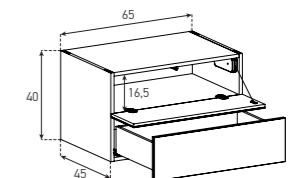


13081



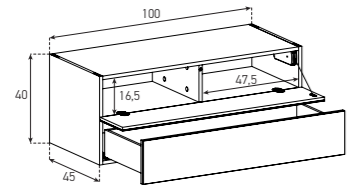
COMBO CABINETS

6545

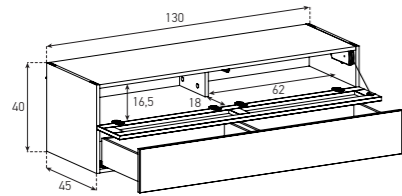




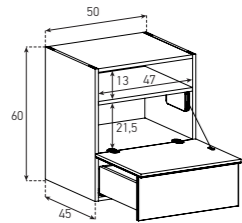
10045



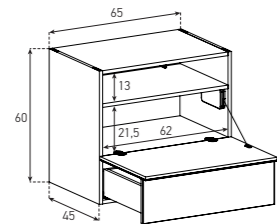
13044 T/P



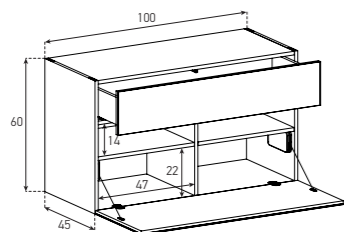
5066



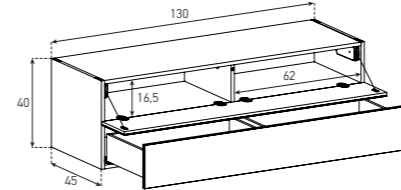
6565



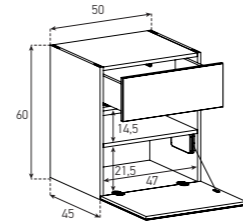
10063



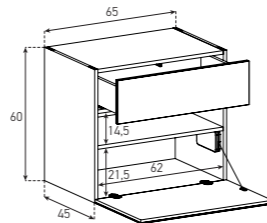
13044



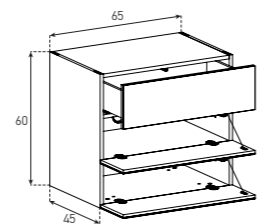
5065



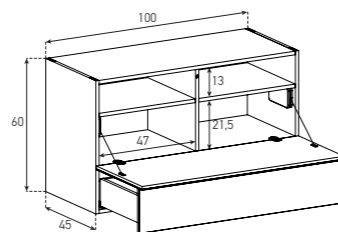
6564



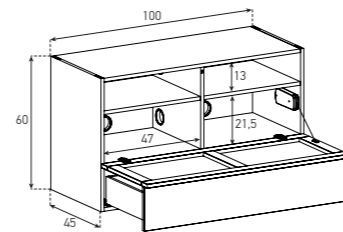
6567



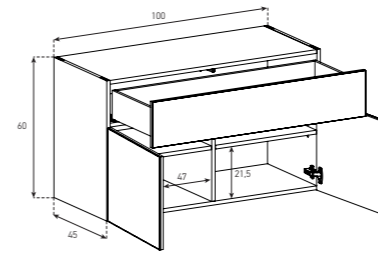
10064



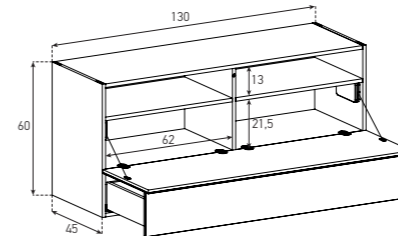
10064 T/P



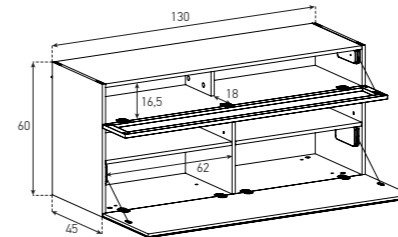
10065



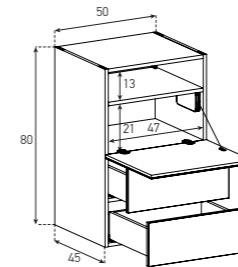
13063



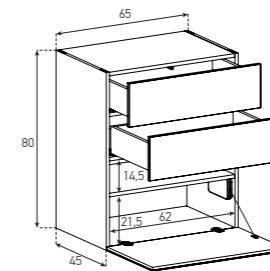
13064 T/P



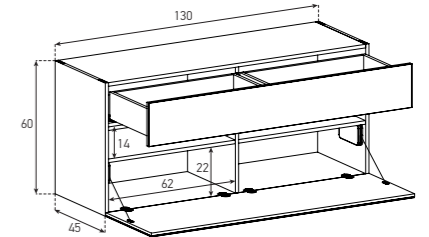
5088



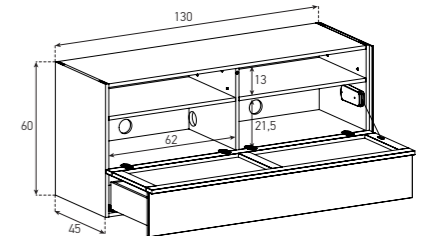
6586



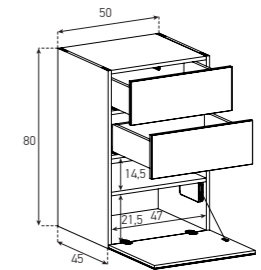
13062



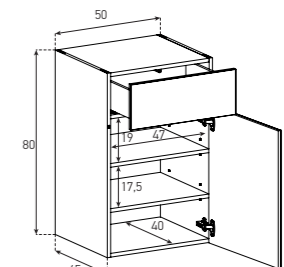
13063 T/P



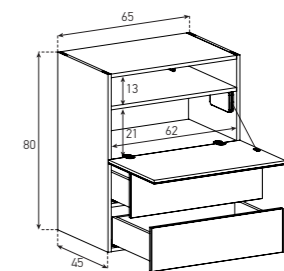
5087



5089

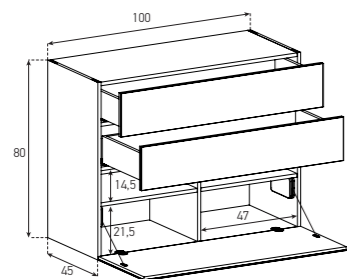


6587

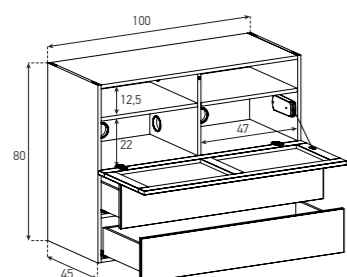




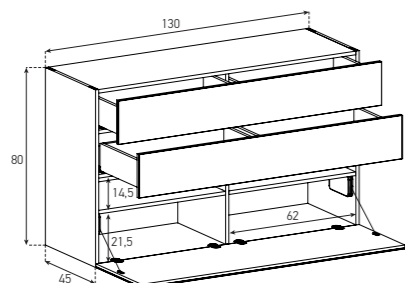
10084



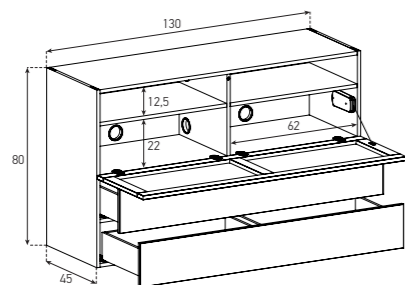
10085 T/P



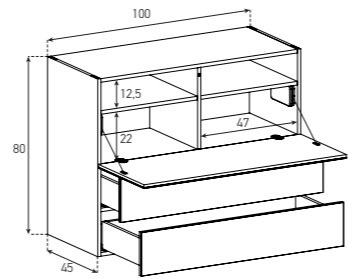
13083



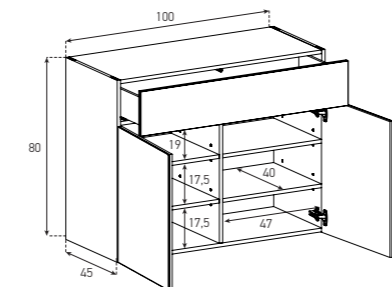
13084 T/P



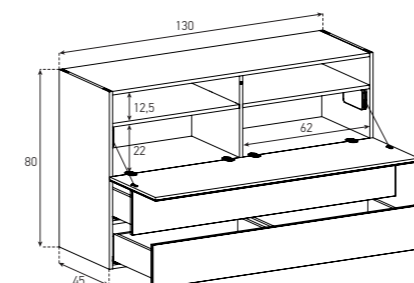
10085



10086

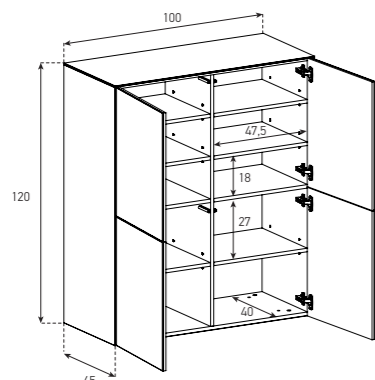


13084

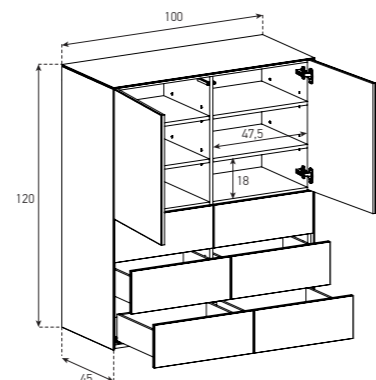


BAR

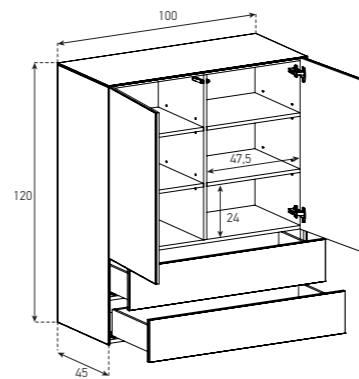
100121



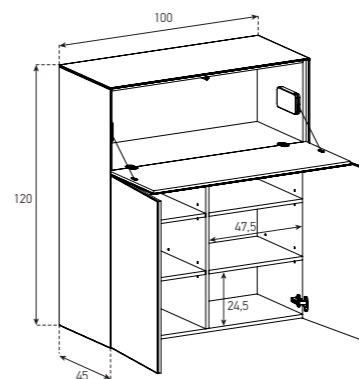
100122



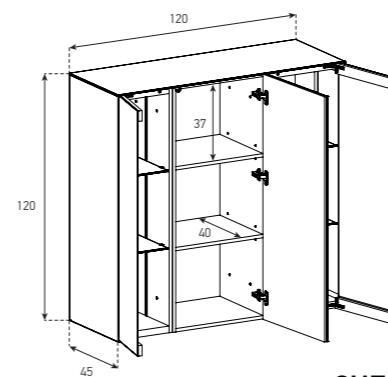
100123



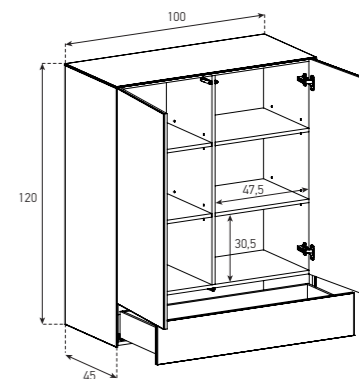
100125



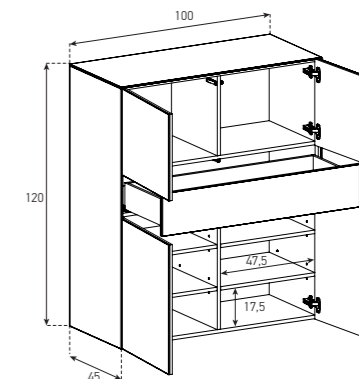
120121



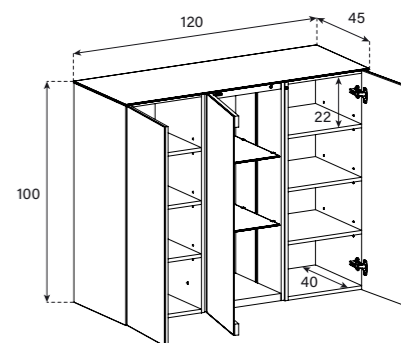
100124



100126

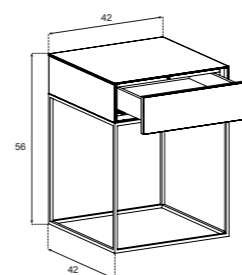


120101

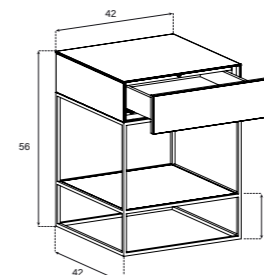


CHEST OF DRAWERS & BEDSIDES

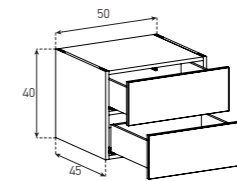
KLBS-42



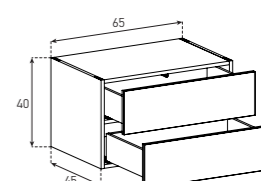
KLBS-42S



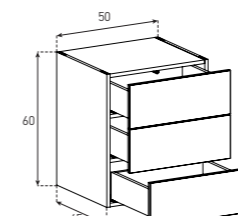
5044



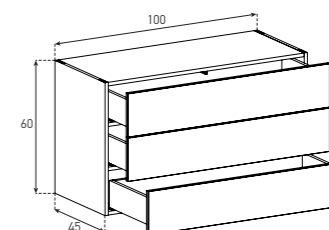
6544



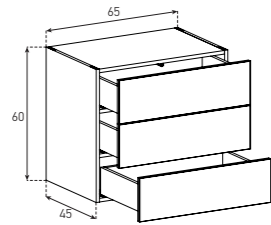
5063



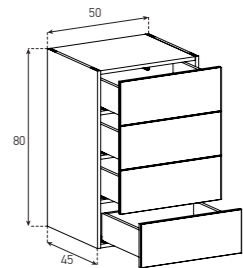
10061



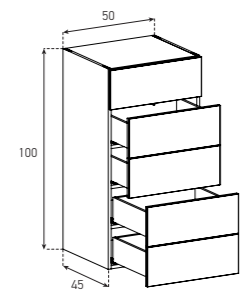
6563



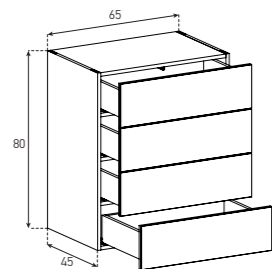
5085



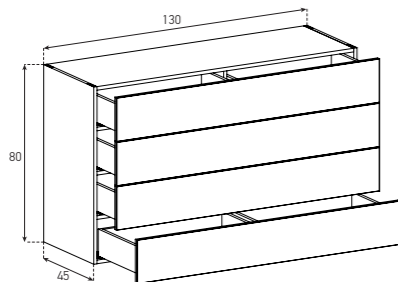
50101



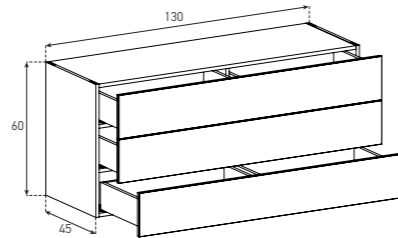
6585



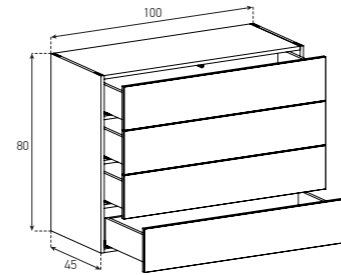
13082



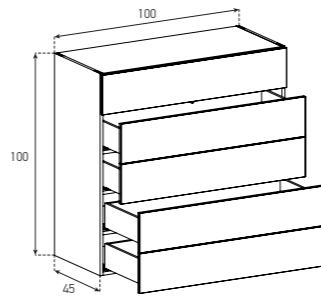
13061



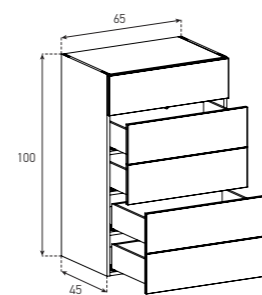
10082



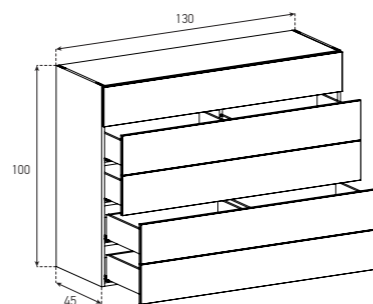
100101



65101



130101



**Sideboards  
CODE SAMPLE**

**SB-5061-WHT-BS-A(WHT)**

1 2 3 4 5

**1) Cabinet Types :**

	50cm	65cm	100cm	130cm
40cm	504#	654#	1004#	1304#
60cm	506#	656#	1006#	1306#
80cm	508#	658#	1008#	1308#
100cm	5010#	6510#	10010#	13010#



Total combination size can not exceed 260cm

**2) Door Colors & Decors : "Category (A, B, C, D, E & F) "**

**3) Base Options : "Category (B) "**

BS (3,5cm Base)	CG2 (20cm Metal Cage)	CRB (13cm Metal Crab)	S20 (20cm Metal Spike)	S13 (13cm Metal Spike)
WL (Wall Hanging)	CG4 (40cm Metal Cage)	TBE (13cm Metal Tube)	PLN (13cm Metal Plain)	CLB (28cm Metal Club)



**5) Side Glass Colors : (D Type structure doesn't have side glass) "Category (A) "**

**TOP GLASS CODE SAMPLE**

**SB-TG-WHT-195**

TG = TOP GLASS    GLASS COLOR    SIZE<sup>1</sup> (CM)

**METAL LEG CODE SAMPLE**

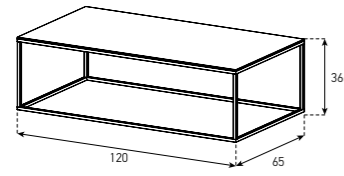
**SB-SPK-GRY-195**

3    LEG COLOR    SIZE<sup>1</sup> (CM)

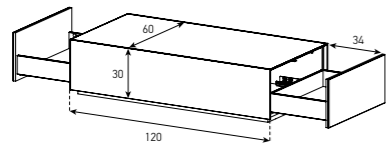
1. Total length of combination  
- Bars can not be a part of combination

COFFEE TABLES

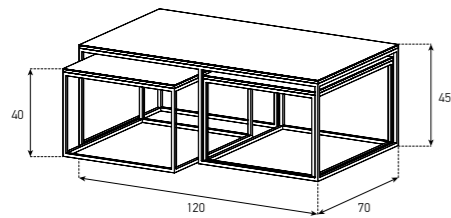
CTR-120G



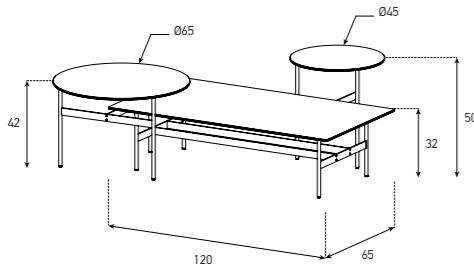
ES90D



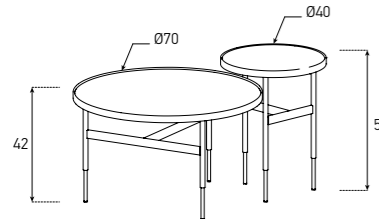
MAXI TRIPLE



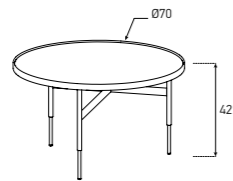
CT-SET 3



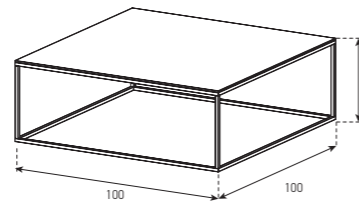
CT-SET4



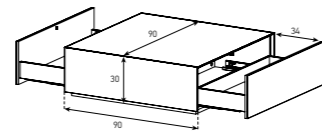
CT-SET4-A



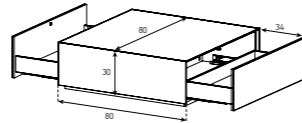
CTS-100G



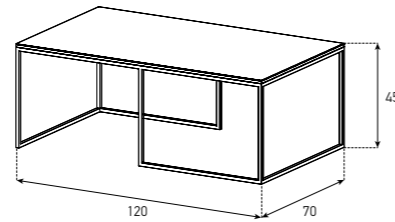
ES91D



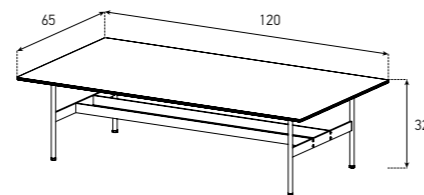
ES80D



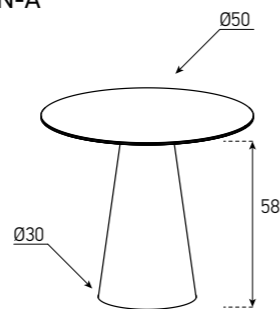
MAXI TRIPLE-A



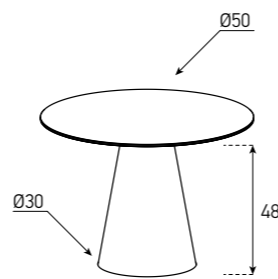
CT-SET3-A



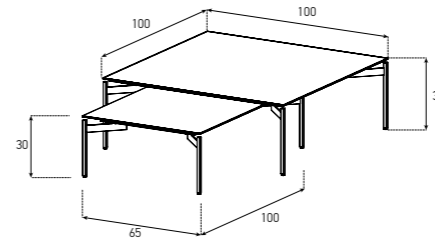
CT-SET CN-A



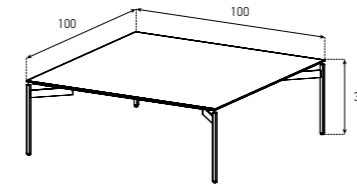
CT-SET CN-B



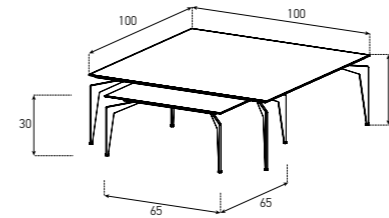
CT-SET 1



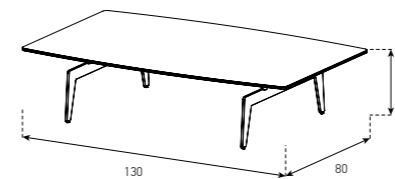
CT-SET1-A



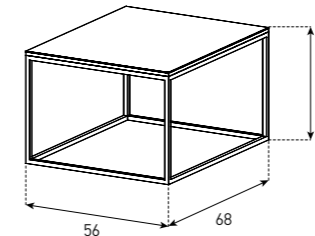
CT-SET2-BMR



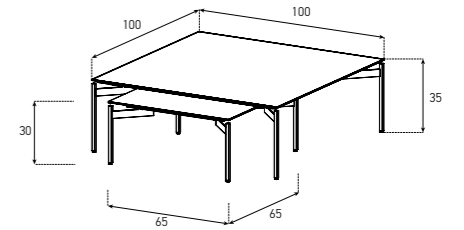
CTR-130C30



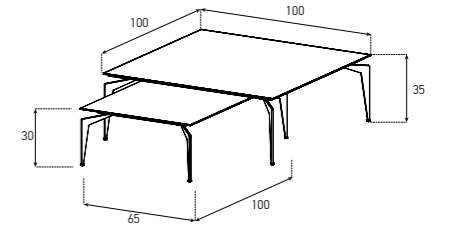
MAXI TRIPLE-B



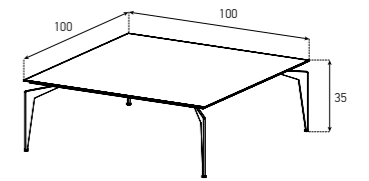
CT-SET2



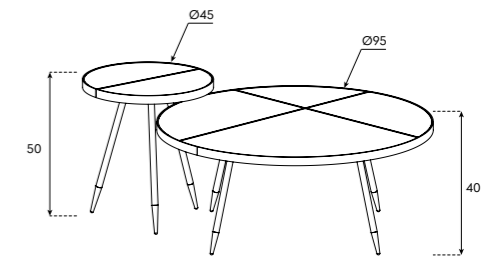
CT-SET1-BMR



CT-SET1-BMR-A

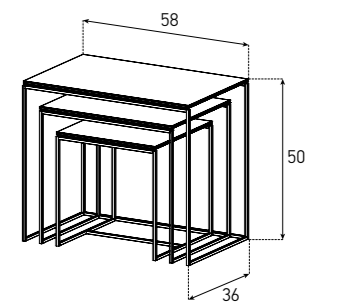


CT-SET PTC

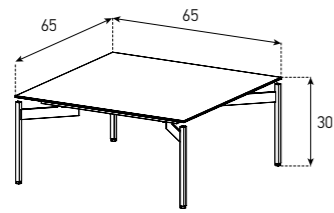


SIDE TABLES

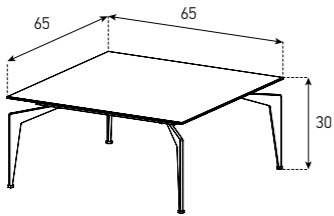
TRIPLE



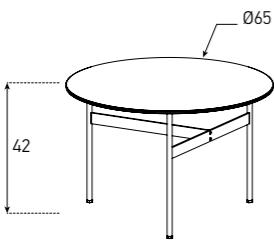
CT-SET2-B



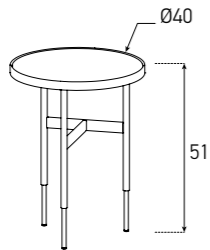
CT-SET2-BMR-B



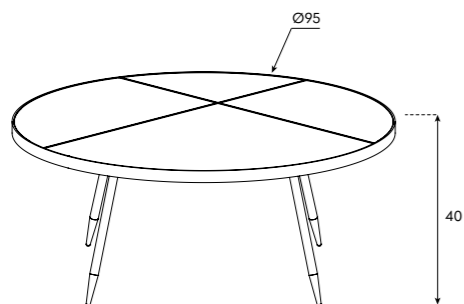
CT-SET3-B



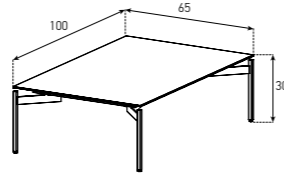
CT-SET4-B



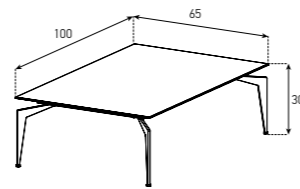
CT-SET PTC - A



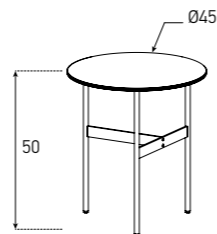
CT-SET1-B



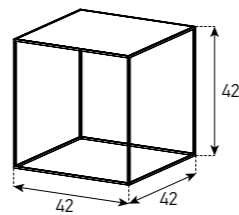
CT-SET1-BMR-B



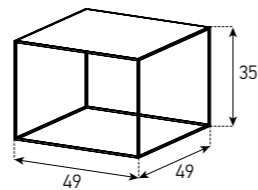
CT-SET3-C



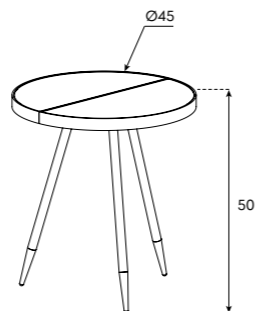
KL-42



KL-49



CT-SET PTC-B



Coffee & Side Tables  
CODE SAMPLE

CTS-100G-WHT-GRY

1 2 3

1) Type :

2) Top Color & Decor : "Category (A, C) "

3) Metal Leg Color : "Category (B) "

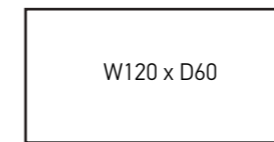
Note : In case of set orders, encode different color and material preferences individually.

ES90D-WHT-WHT-CG2BLK

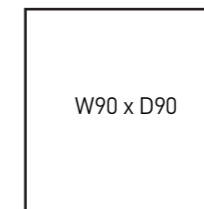
1 2 3 4 5

1) Cabinet Types

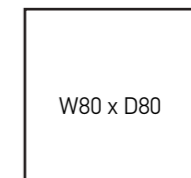
ES90D



ES91D



ES80D



2) Cabinet Color & Decors : "Category (A, D) "

3) Door Color & Decors : "Category (A, C, D) "

4) Base Options :

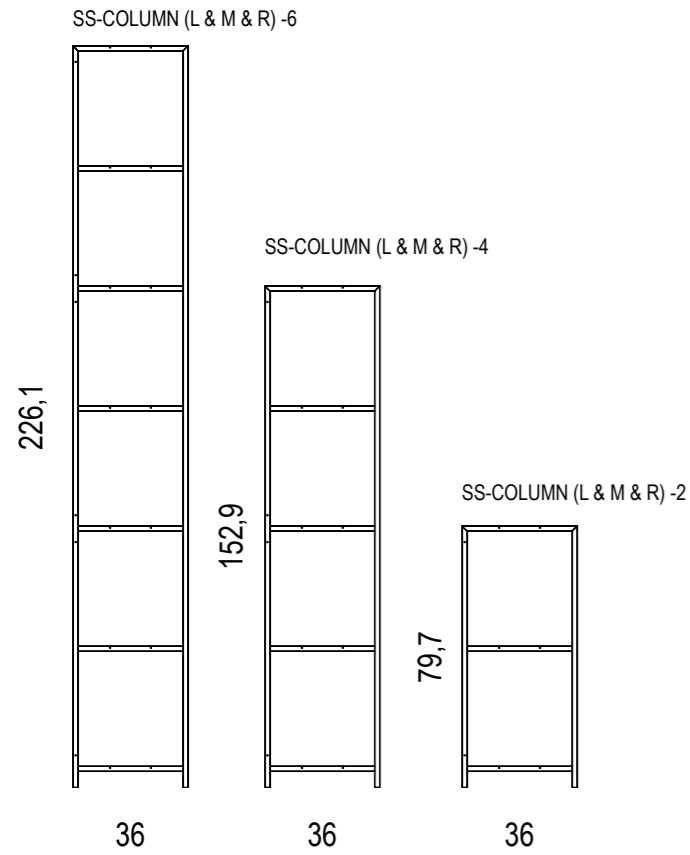
2  
(3,5cm Base)

CG2  
(20cm Metal Cage)

5) Metal Leg Color : "Category (B) "

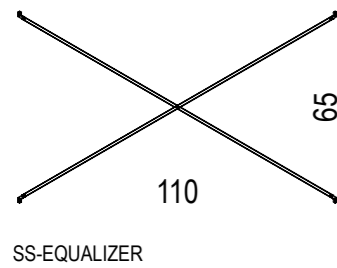
Shelf & Box System  
CODE SAMPLE

Standart column measures (cm)  
Metal colors : "Category (B)"

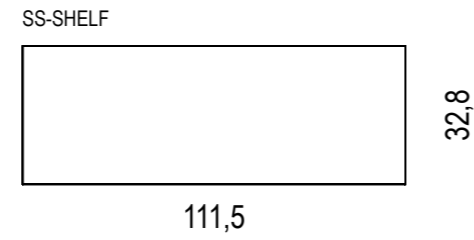


Note: L & M & R = Left & Middle & Right

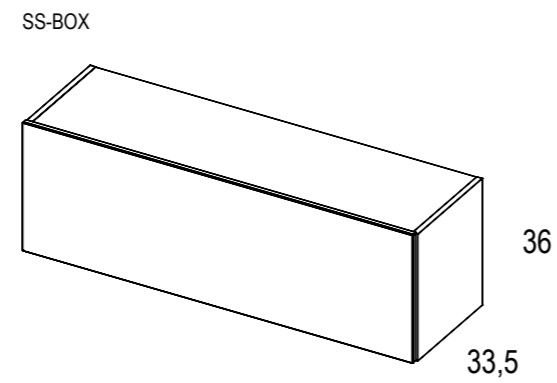
Equalizer  
Metal colors : "Category (B)"



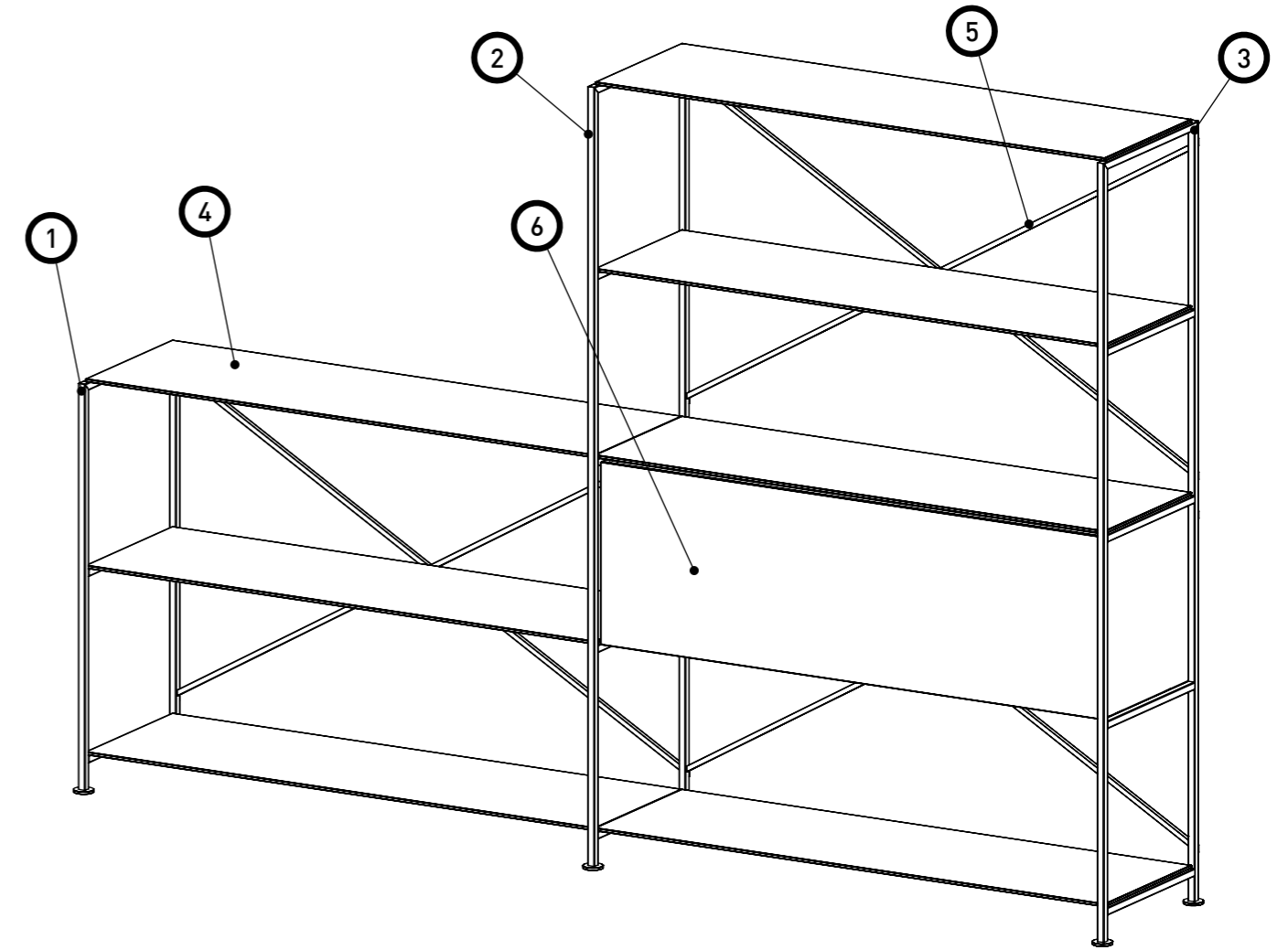
Shelf  
Colors : "Category (A, C, C+ & D)"



Storage Box  
Door Colors & Decors : "Category (A, B, C, D)"  
\*Body only black and white.



Shelf & Box System  
SAMPLE ORDER CODES



COLUMNS:

- 1. SS-COLUMN LEFT-2-WHT X1
- 2. SS-COLUMN MIDDLE-4-WHT X1
- 3. SS-COLUMN RIGHT-4-WHT X1

SHELVES:

- 4. SS-SHELF-WHT -WHTC X7

EQUALIZERS:

- 5. SS-EQUALIZER-WHT X3

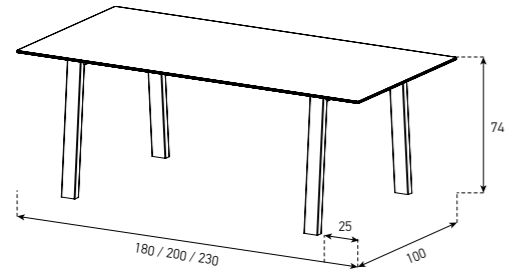
STORAGE BOX:

- 6. SS-BOX-WHT-PLS X1

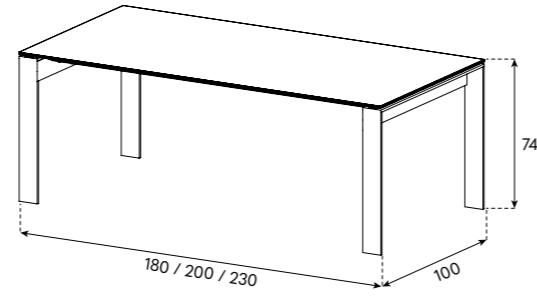
# TABLES

## DINING TABLES

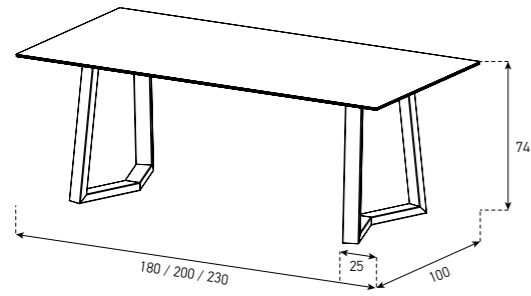
CHEVRON



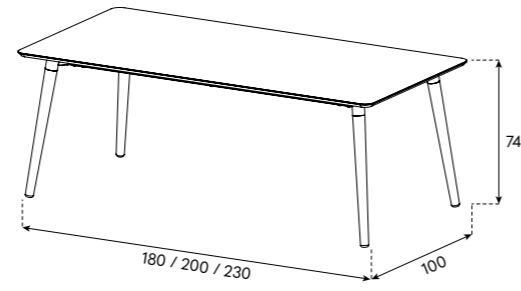
GATE



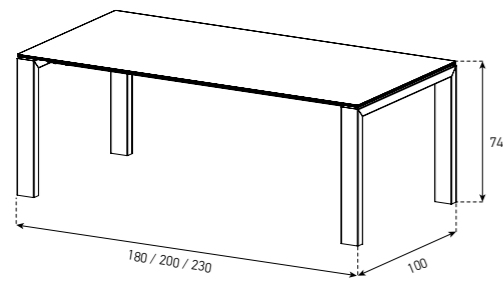
WARP



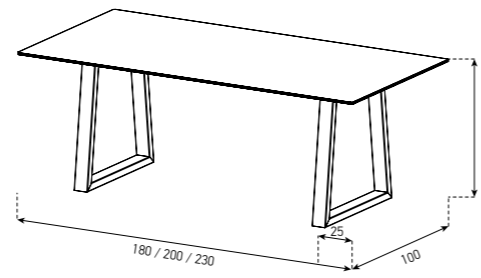
ROD



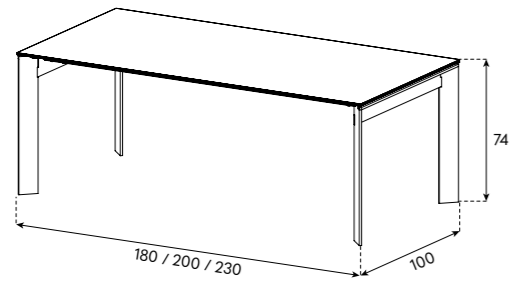
PORTAL



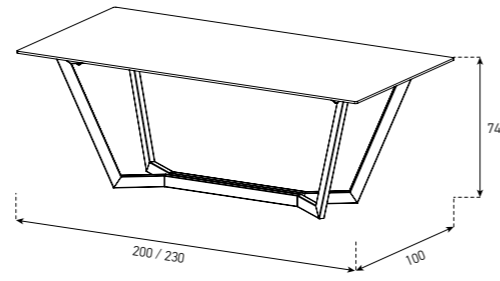
TRAPEZOID



VERTEX

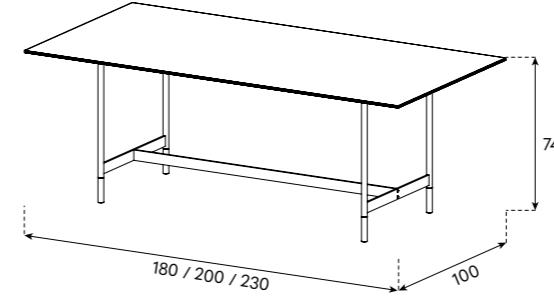


GONDOLA

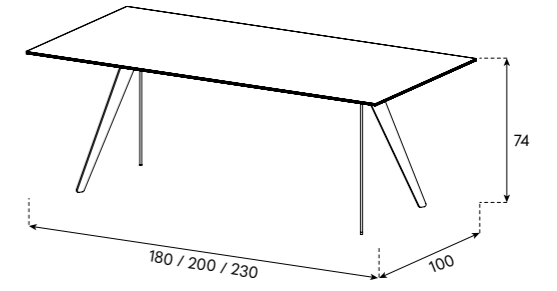


## DINING TABLES

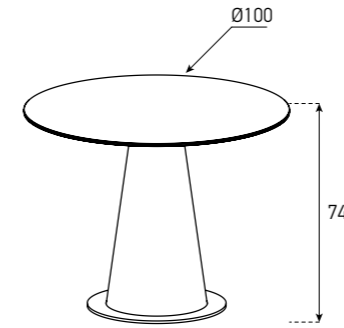
CLUB



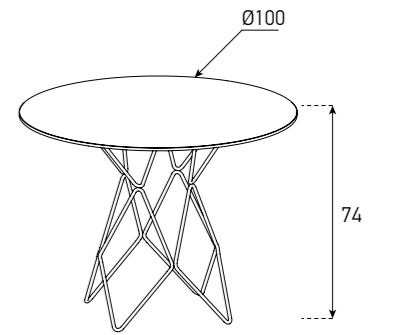
POSE



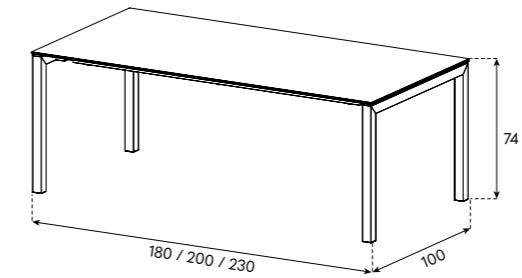
CONE



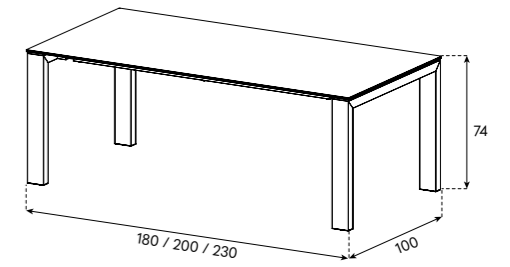
NET



AL 55

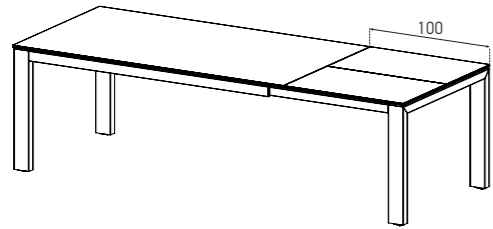
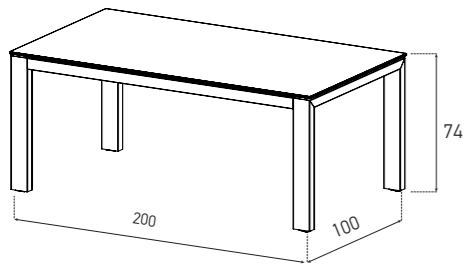


AL 105

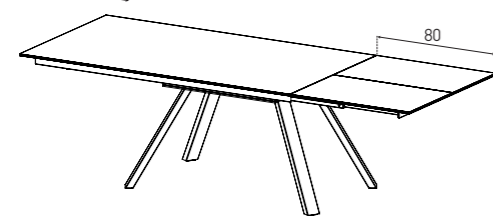
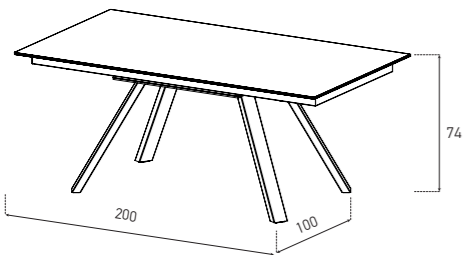


DINING TABLE MECANISM OPTIONS

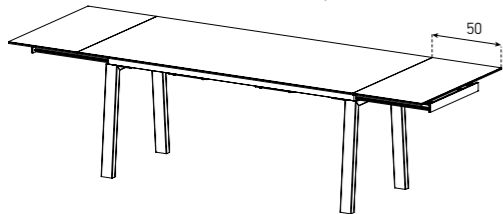
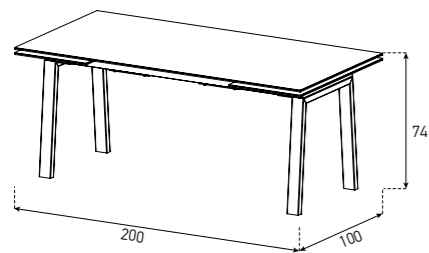
BUTTERFLY



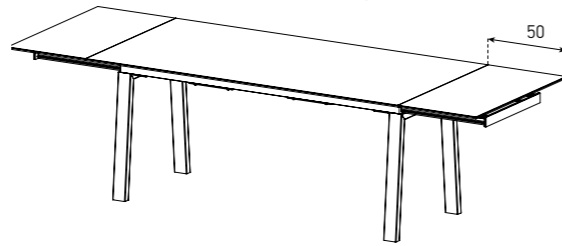
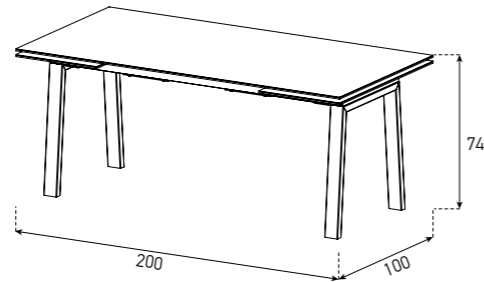
TANDEM BUTTERFLY



LIFT OPENING (ALU)



MOVE UP



TANDEM MOVE UP

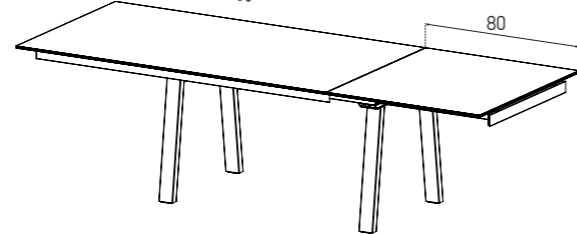
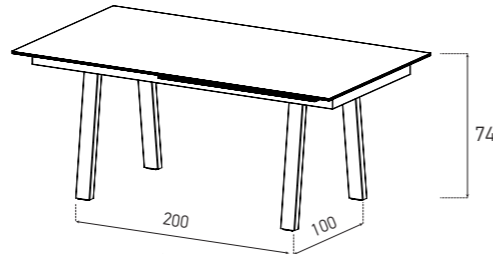


TABLE TOP EDGE DETAILS

FIXED & EXTENSION TABLES

FLAT EDGES

Thickness (mm)	Material
3	Ceramic
8	Glass
5	Ceramic
6	Glass
3	Ceramic
3	Ceramic
4	Glass
8	Glass
8	Glass

GENERAL LIMITATIONS


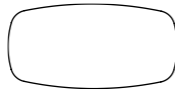

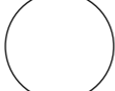
Butterfly & Tandem Butterfly extension tables top layer could be only 3mm ceramic.

FIXED TABLES




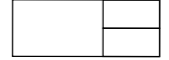
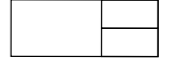
BEVELED EDGES

Thickness (mm)	Material
3	Ceramic
8	Glass
5	Ceramic
6	Glass
3	Ceramic
18	Mdf
5	Ceramic
18	Mdf
4	Glass
18	Mdf
4	Glass
8	Glass

## FIX TABLE SUITABILITY CHART

COMPATIBILITY		TABLE TOPS (cm)				Rules & Limitations
		MAX. 300 x 100 cm		MAX. 120 cm (Please Ask)		
		RECTANGLE	ELLIPTICAL	SQUARE	CIRCULAR	
						
POWDER COATED METAL	Chevron	✓	✓	X	X	
	Trapezoid	✓	✓	X	X	
	Warp	✓	✓	X	X	
	Portal	✓	X	✓	X	
	Gondola	✓	✓	X	X	MIN LENGTH 200 cm
	Pose	✓	✓	✓	✓	
	Gate	✓	X	✓	X	
	Vertex	✓	X	✓	X	
	Club	✓	✓	X	X	
	Cone	✓	✓	✓	✓	2 LEGS ON RECTANGLE AND ELLIPTICAL
Net	✓	✓	✓	✓	2 LEGS ON RECTANGLE AND ELLIPTICAL	
SOLID WOOD	Portal	✓	X	✓	X	
	Rod	✓	X	✓	X	
ALUMINIUM	AL 55	✓	X	✓	X	
	AL 105	✓	X	✓	X	

## EXTENDABLE TABLE SUITABILITY CHART

COMPATIBILITY		TABLE TOPS (cm)					Rules & Limitations	
		LIFT OPENING	MOVE UP	TANDEM MOVE UP	BUTTERFLY	TANDEM BUTTERFLY		
		40 / 160 / 40	40 / 160 / 40	160 / 70	160 / 60	160 / 60		
								
		50 / 180 / 50	50 / 180 / 50	180 / 80	180 / 80	180 / 80		
		50 / 200 / 50	50 / 200 / 50	200 / 80	200 / 100	180 / 80		
POWDER COATED METAL	Chevron	✓	✓	✓	X	X		
	Trapezoid	✓	✓	✓	X	X		
	Warp	✓	✓	✓	X	X		
	Portal	X	X	X	✓	X		
	Gate	X	X	X	X	X		
	Vertex	X	X	X	X	X		
	Central	X	X	X	X	✓		
	SOLID WOOD	Portal	X	X	X	✓	X	
	ALUMINIUM	AL 55	X	X	X	✓	X	
		AL 105	X	X	X	✓	X	



Tables  
CODE SAMPLE

TBL-F-R2010EMP-MZ-BLK

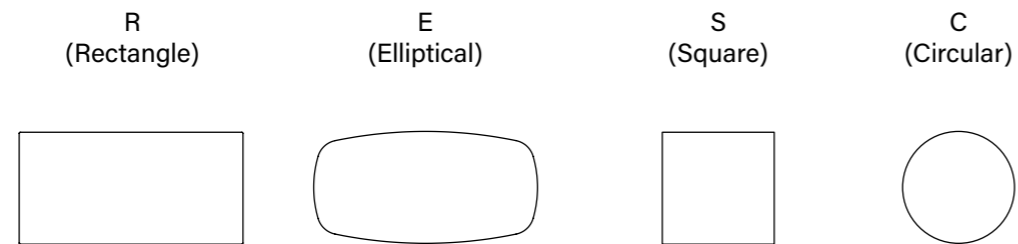


1) Feature:

F (Fixed)      LO (Lift opening)      MU (Move-Up)

TM (Tandem Move-Up)      BT (Butterfly)      TB (Tandem Butterfly)

2) Shape :



3) Dimensions (cm):

1010 (100X100)      1610 (160X100)      1810 (180X100)      2010 (200X100)      2310 (230X100)

4) Table Decor : Category (C / C<sup>+</sup>)

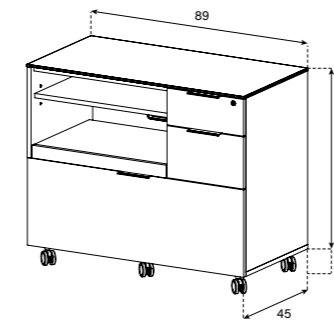
5) Leg :

CH (Chevron)	TR (Trapezoid)	WR (Warp)	PT (Portal)
GD (Gondola)	PS (Pose)	GT (Gate)	VR (Vertex)
CL (Club)	RD (Rod)	AL55 (5X5cm ALM)	AL105 (10X5cm ALM)
CN (Cone)	NT (Net)	CT (Central)	

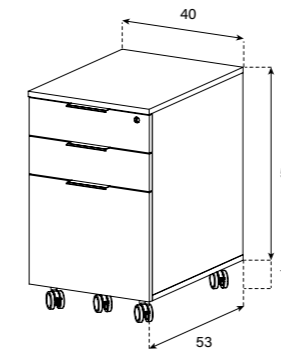
6) Leg Color : Metal legs "Category (B)"  
Rod solid wood leg "BLK" / "WHT"

OFFICE

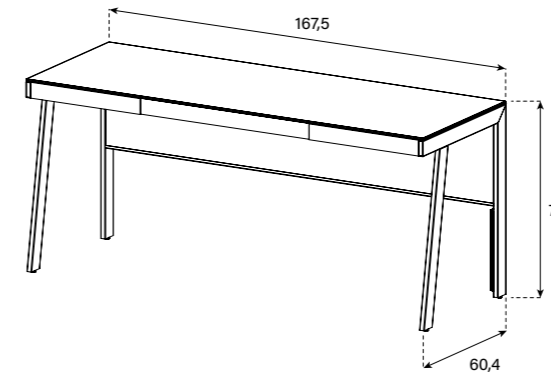
MFC



LMC

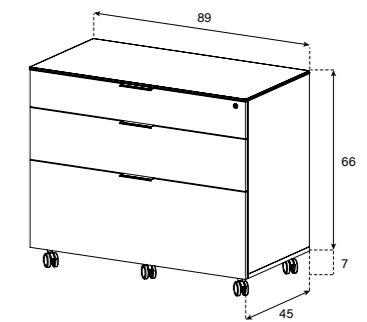


FDL

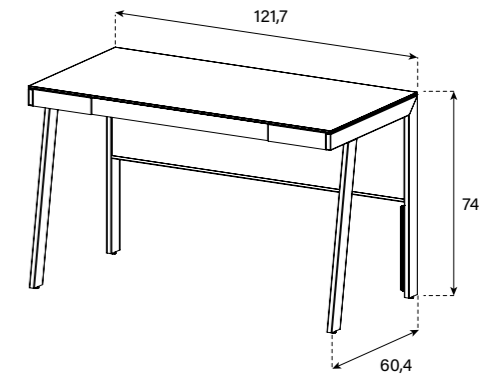


EPSILON

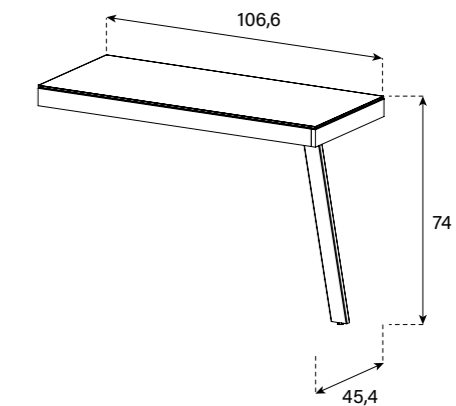
DFC



FDS

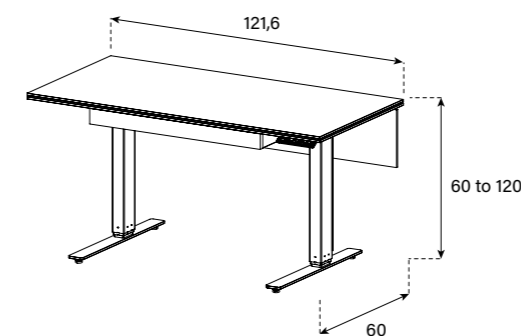


RDS

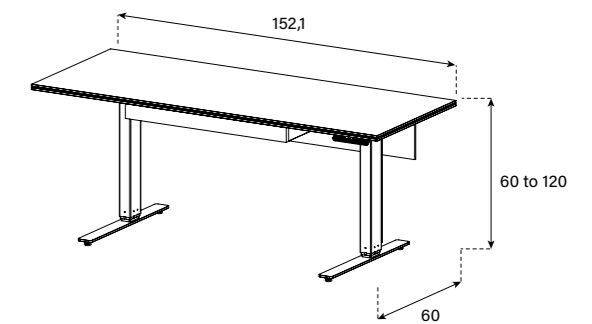


ELEVATE

EDS

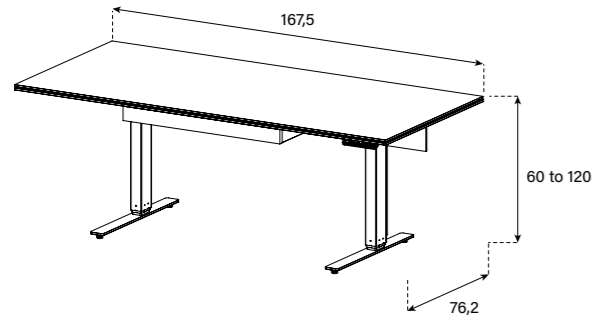


EDM



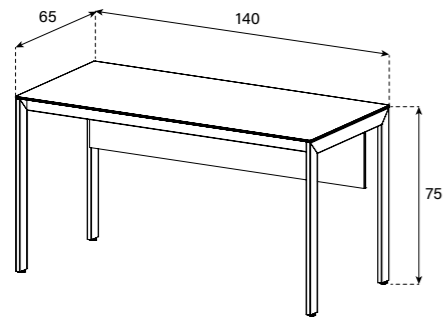
ELEVATE

EDL

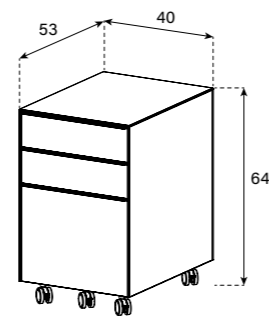


WORK

WD1

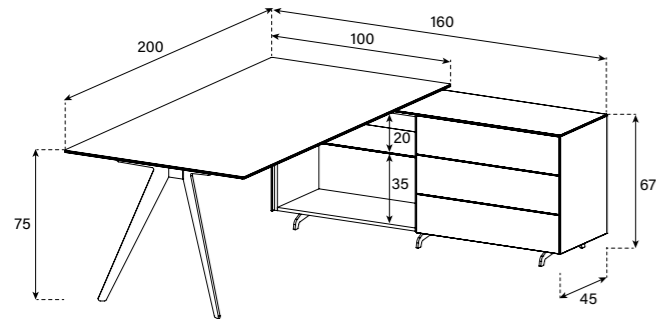


WP1



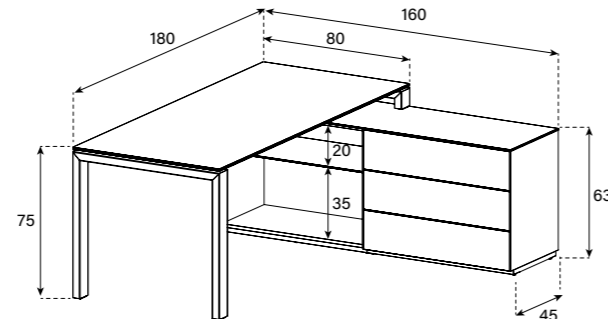
DESK PLUS

DP1



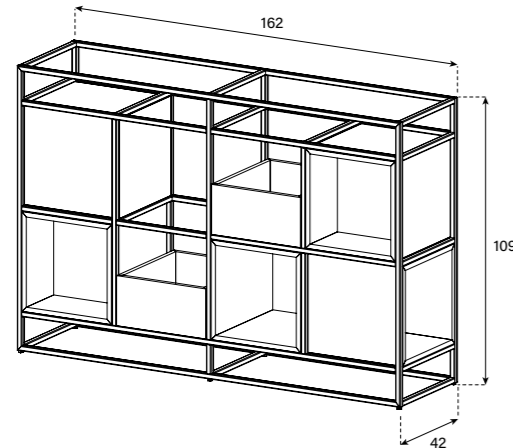
L-DESK

LD1



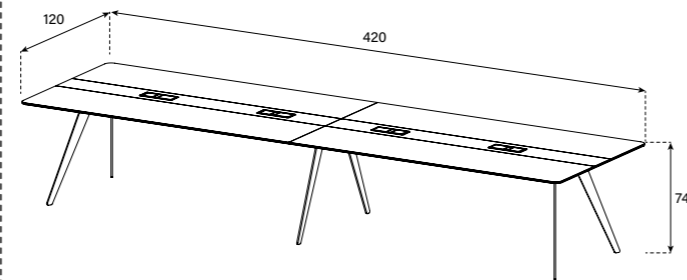
DIVIDE

DVC



MEET

MT1



Office  
CODE SAMPLE

MFC-OAK-BLK

1

2

3

1) Series :

EPSILON

MFC  
(Multifunctional file cabinet)

DFC  
(Drawer file cabinet)

LMC  
(Low mobile cabinet)

FDS  
(Full desk small)

FDL  
(Full desk large)

RDS  
(Return desk)

Return desk can be attached to "Full desk" only.

ELEVATE

EDS  
(Elevate desk small)

EDM  
(Elevate desk medium)

EDL  
(Elevate desk large)

DESK PLUS

DP1  
(Desk Plus 1)

L-DESK

LD1  
(L-Desk 1)

WORK

WD1  
(Work Desk 1)

WP1  
(Work Pedestal 1)

DIVIDE

DVC  
(Divider cabinet)

MEET

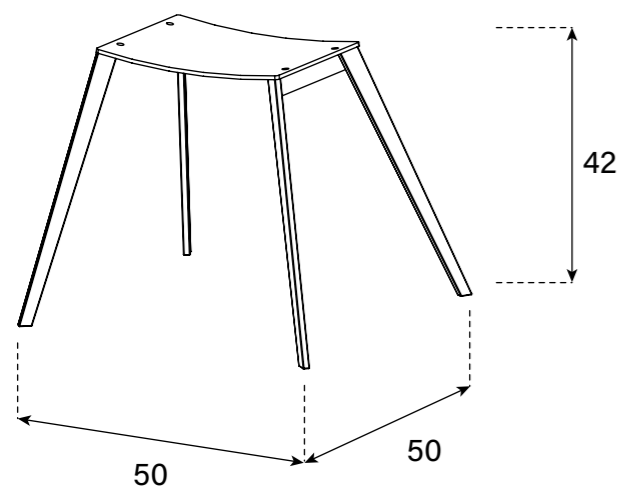
MT1  
(Meeting Table 1)

2) Top (For desks) or Body (For cabinets) colors : Glass and ceramic colors for tops & Wood decors for bodies  
"Category (A, C, C+, D)"

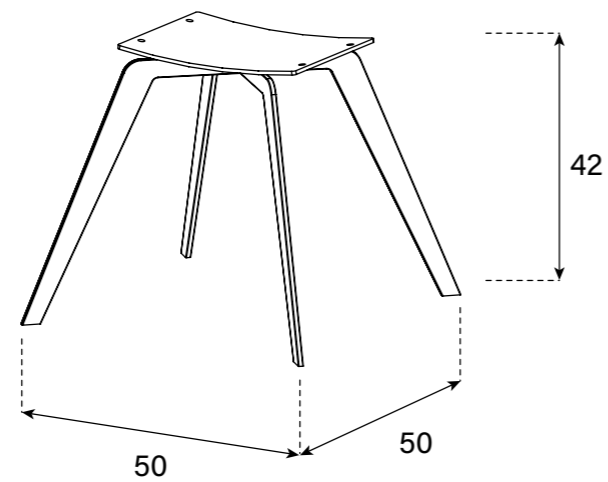
3) Metal leg colors (If any) : "Category (B)"

# CHAIRS

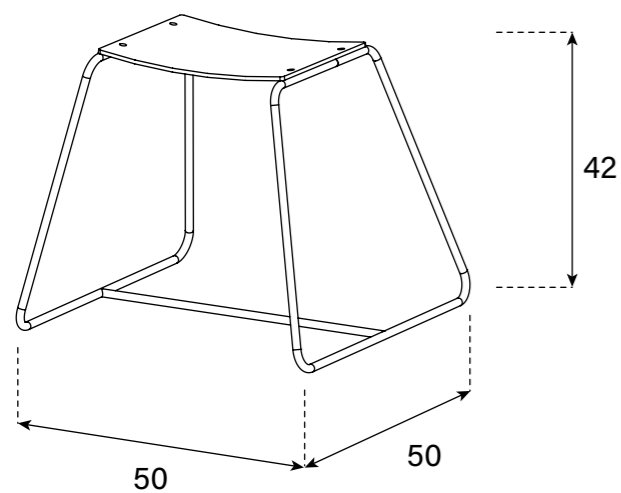
HORIZON



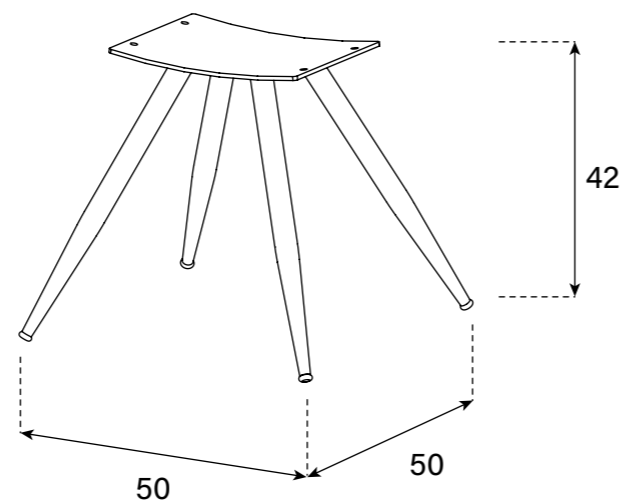
LOFT



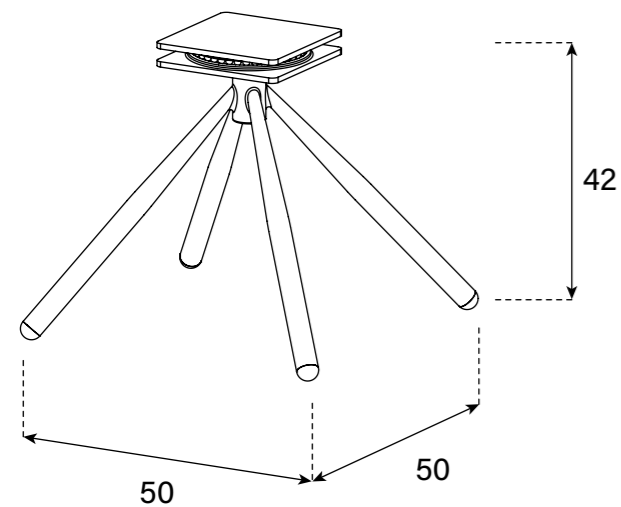
TRAIL



PYRAMID



ROTATE



## Chairs CODE SAMPLE

CH-S1-GLANT-TRL-BLK

1 2 3 4 5

1- Body model (See the details in the chair section of the catalogue)

S1 S2 S3 S4 S5

2- Upholstery Type

GL : Genuine Leather AL : Artificial Leather TX : Textile

3- Upholstery Color (Choose from samples)

4- Leg type (Just for S1 & S2 bodies. Other bodies has their own legs)

HRZ : Horizon LFT : Loft

PMD : Pyramid RTT : Rotate TRL : Trail

5- Leg color

Metal legs "Category (B)"  
Wood leg "BLK" / "WHT"

Examples

CH-S1-ALBLK-PMD-BLK  
CH-S3-TXABC-BLK (ABC: UPHOLSTERY MANUFACTURER CODE)

## Headquarter

Merkez Mah. Selimiye Cad. No: 1  
Güzle İş Mrk. Kat:4 Çekmeköy 34782 İstanbul/Turkey  
T.+90.216.640 16 16 F.+90.216.640 02 55

## Factory

A.O.S.B. Kayalıođlu Mah. 3. Cad. No:26  
Akhisar / Manisa / Turkey  
T.+90.236.427 27 70 F.+90.236.427.27.72

